

To our customers,

---

## Old Company Name in Catalogs and Other Documents

---

On April 1<sup>st</sup>, 2010, NEC Electronics Corporation merged with Renesas Technology Corporation, and Renesas Electronics Corporation took over all the business of both companies. Therefore, although the old company name remains in this document, it is a valid Renesas Electronics document. We appreciate your understanding.

Renesas Electronics website: <http://www.renesas.com>

April 1<sup>st</sup>, 2010  
Renesas Electronics Corporation

Issued by: Renesas Electronics Corporation (<http://www.renesas.com>)

Send any inquiries to <http://www.renesas.com/inquiry>.

## Notice

1. All information included in this document is current as of the date this document is issued. Such information, however, is subject to change without any prior notice. Before purchasing or using any Renesas Electronics products listed herein, please confirm the latest product information with a Renesas Electronics sales office. Also, please pay regular and careful attention to additional and different information to be disclosed by Renesas Electronics such as that disclosed through our website.
2. Renesas Electronics does not assume any liability for infringement of patents, copyrights, or other intellectual property rights of third parties by or arising from the use of Renesas Electronics products or technical information described in this document. No license, express, implied or otherwise, is granted hereby under any patents, copyrights or other intellectual property rights of Renesas Electronics or others.
3. You should not alter, modify, copy, or otherwise misappropriate any Renesas Electronics product, whether in whole or in part.
4. Descriptions of circuits, software and other related information in this document are provided only to illustrate the operation of semiconductor products and application examples. You are fully responsible for the incorporation of these circuits, software, and information in the design of your equipment. Renesas Electronics assumes no responsibility for any losses incurred by you or third parties arising from the use of these circuits, software, or information.
5. When exporting the products or technology described in this document, you should comply with the applicable export control laws and regulations and follow the procedures required by such laws and regulations. You should not use Renesas Electronics products or the technology described in this document for any purpose relating to military applications or use by the military, including but not limited to the development of weapons of mass destruction. Renesas Electronics products and technology may not be used for or incorporated into any products or systems whose manufacture, use, or sale is prohibited under any applicable domestic or foreign laws or regulations.
6. Renesas Electronics has used reasonable care in preparing the information included in this document, but Renesas Electronics does not warrant that such information is error free. Renesas Electronics assumes no liability whatsoever for any damages incurred by you resulting from errors in or omissions from the information included herein.
7. Renesas Electronics products are classified according to the following three quality grades: "Standard", "High Quality", and "Specific". The recommended applications for each Renesas Electronics product depends on the product's quality grade, as indicated below. You must check the quality grade of each Renesas Electronics product before using it in a particular application. You may not use any Renesas Electronics product for any application categorized as "Specific" without the prior written consent of Renesas Electronics. Further, you may not use any Renesas Electronics product for any application for which it is not intended without the prior written consent of Renesas Electronics. Renesas Electronics shall not be in any way liable for any damages or losses incurred by you or third parties arising from the use of any Renesas Electronics product for an application categorized as "Specific" or for which the product is not intended where you have failed to obtain the prior written consent of Renesas Electronics. The quality grade of each Renesas Electronics product is "Standard" unless otherwise expressly specified in a Renesas Electronics data sheets or data books, etc.

"Standard": Computers; office equipment; communications equipment; test and measurement equipment; audio and visual equipment; home electronic appliances; machine tools; personal electronic equipment; and industrial robots.

"High Quality": Transportation equipment (automobiles, trains, ships, etc.); traffic control systems; anti-disaster systems; anti-crime systems; safety equipment; and medical equipment not specifically designed for life support.

"Specific": Aircraft; aerospace equipment; submersible repeaters; nuclear reactor control systems; medical equipment or systems for life support (e.g. artificial life support devices or systems), surgical implantations, or healthcare intervention (e.g. excision, etc.), and any other applications or purposes that pose a direct threat to human life.

8. You should use the Renesas Electronics products described in this document within the range specified by Renesas Electronics, especially with respect to the maximum rating, operating supply voltage range, movement power voltage range, heat radiation characteristics, installation and other product characteristics. Renesas Electronics shall have no liability for malfunctions or damages arising out of the use of Renesas Electronics products beyond such specified ranges.
9. Although Renesas Electronics endeavors to improve the quality and reliability of its products, semiconductor products have specific characteristics such as the occurrence of failure at a certain rate and malfunctions under certain use conditions. Further, Renesas Electronics products are not subject to radiation resistance design. Please be sure to implement safety measures to guard them against the possibility of physical injury, and injury or damage caused by fire in the event of the failure of a Renesas Electronics product, such as safety design for hardware and software including but not limited to redundancy, fire control and malfunction prevention, appropriate treatment for aging degradation or any other appropriate measures. Because the evaluation of microcomputer software alone is very difficult, please evaluate the safety of the final products or system manufactured by you.
10. Please contact a Renesas Electronics sales office for details as to environmental matters such as the environmental compatibility of each Renesas Electronics product. Please use Renesas Electronics products in compliance with all applicable laws and regulations that regulate the inclusion or use of controlled substances, including without limitation, the EU RoHS Directive. Renesas Electronics assumes no liability for damages or losses occurring as a result of your noncompliance with applicable laws and regulations.
11. This document may not be reproduced or duplicated, in any form, in whole or in part, without prior written consent of Renesas Electronics.
12. Please contact a Renesas Electronics sales office if you have any questions regarding the information contained in this document or Renesas Electronics products, or if you have any other inquiries.

(Note 1) "Renesas Electronics" as used in this document means Renesas Electronics Corporation and also includes its majority-owned subsidiaries.

(Note 2) "Renesas Electronics product(s)" means any product developed or manufactured by or for Renesas Electronics.

## SuperH™ Family E10A-USB Emulator

Additional Document for User's Manual  
Supplementary Information on Using  
the SH7751R

Renesas Microcomputer Development  
Environment System

SuperH™ Family / SH7750 Series

E10A-USB for SH7751R HS7751RKCU01HE



## Notes regarding these materials

1. This document is provided for reference purposes only so that Renesas customers may select the appropriate Renesas products for their use. Renesas neither makes warranties or representations with respect to the accuracy or completeness of the information contained in this document nor grants any license to any intellectual property rights or any other rights of Renesas or any third party with respect to the information in this document.
2. Renesas shall have no liability for damages or infringement of any intellectual property or other rights arising out of the use of any information in this document, including, but not limited to, product data, diagrams, charts, programs, algorithms, and application circuit examples.
3. You should not use the products or the technology described in this document for the purpose of military applications such as the development of weapons of mass destruction or for the purpose of any other military use. When exporting the products or technology described herein, you should follow the applicable export control laws and regulations, and procedures required by such laws and regulations.
4. All information included in this document such as product data, diagrams, charts, programs, algorithms, and application circuit examples, is current as of the date this document is issued. Such information, however, is subject to change without any prior notice. Before purchasing or using any Renesas products listed in this document, please confirm the latest product information with a Renesas sales office. Also, please pay regular and careful attention to additional and different information to be disclosed by Renesas such as that disclosed through our website. (<http://www.renesas.com>)
5. Renesas has used reasonable care in compiling the information included in this document, but Renesas assumes no liability whatsoever for any damages incurred as a result of errors or omissions in the information included in this document.
6. When using or otherwise relying on the information in this document, you should evaluate the information in light of the total system before deciding about the applicability of such information to the intended application. Renesas makes no representations, warranties or guaranties regarding the suitability of its products for any particular application and specifically disclaims any liability arising out of the application and use of the information in this document or Renesas products.
7. With the exception of products specified by Renesas as suitable for automobile applications, Renesas products are not designed, manufactured or tested for applications or otherwise in systems the failure or malfunction of which may cause a direct threat to human life or create a risk of human injury or which require especially high quality and reliability such as safety systems, or equipment or systems for transportation and traffic, healthcare, combustion control, aerospace and aeronautics, nuclear power, or undersea communication transmission. If you are considering the use of our products for such purposes, please contact a Renesas sales office beforehand. Renesas shall have no liability for damages arising out of the uses set forth above.
8. Notwithstanding the preceding paragraph, you should not use Renesas products for the purposes listed below:
  - (1) artificial life support devices or systems
  - (2) surgical implantations
  - (3) healthcare intervention (e.g., excision, administration of medication, etc.)
  - (4) any other purposes that pose a direct threat to human lifeRenesas shall have no liability for damages arising out of the uses set forth in the above and purchasers who elect to use Renesas products in any of the foregoing applications shall indemnify and hold harmless Renesas Technology Corp., its affiliated companies and their officers, directors, and employees against any and all damages arising out of such applications.
9. You should use the products described herein within the range specified by Renesas, especially with respect to the maximum rating, operating supply voltage range, movement power voltage range, heat radiation characteristics, installation and other product characteristics. Renesas shall have no liability for malfunctions or damages arising out of the use of Renesas products beyond such specified ranges.
10. Although Renesas endeavors to improve the quality and reliability of its products, IC products have specific characteristics such as the occurrence of failure at a certain rate and malfunctions under certain use conditions. Please be sure to implement safety measures to guard against the possibility of physical injury, and injury or damage caused by fire in the event of the failure of a Renesas product, such as safety design for hardware and software including but not limited to redundancy, fire control and malfunction prevention, appropriate treatment for aging degradation or any other applicable measures. Among others, since the evaluation of microcomputer software alone is very difficult, please evaluate the safety of the final products or system manufactured by you.
11. In case Renesas products listed in this document are detached from the products to which the Renesas products are attached or affixed, the risk of accident such as swallowing by infants and small children is very high. You should implement safety measures so that Renesas products may not be easily detached from your products. Renesas shall have no liability for damages arising out of such detachment.
12. This document may not be reproduced or duplicated, in any form, in whole or in part, without prior written approval from Renesas.
13. Please contact a Renesas sales office if you have any questions regarding the information contained in this document, Renesas semiconductor products, or if you have any other inquiries.



# Contents

Section 1	Connecting the Emulator with the User System .....	1
1.1	Components of the Emulator .....	1
1.2	Connecting the E10A-USB Emulator with the User System .....	2
1.3	Installing the H-UDI Port Connector on the User System .....	3
1.4	Pin Assignments of the H-UDI Port Connector .....	3
1.5	Recommended Circuit between the H-UDI Port Connector and the MPU .....	6
1.5.1	Recommended Circuit (36-Pin Type) .....	6
1.5.2	Recommended Circuit (14-Pin Type) .....	10
Section 2	Specifications of the Software when Using the SH7751R .....	13
2.1	Differences between the SH7751R and the Emulator .....	13
2.2	Specific Functions for the Emulator when Using the SH7751R .....	17
2.2.1	Break Condition Functions .....	17
2.2.2	Trace Functions .....	19
2.2.3	Notes on Using the JTAG Clock (TCK) and AUD Clock (AUDCK) .....	27
2.2.4	Notes on Setting the [Breakpoint] Dialog Box .....	27
2.2.5	Notes on Setting the [Break Condition] Dialog Box and the BREAKCONDITION_ SET Command .....	29
2.2.6	Performance Measurement Functions .....	30
2.2.7	Interrupts .....	38
2.2.8	CPU Status Acquisition .....	39





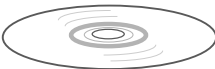


# Section 1 Connecting the Emulator with the User System

## 1.1 Components of the Emulator

The E10A-USB emulator supports the SH7751R. Table 1.1 lists the components of the emulator.

**Table 1.1 Components of the Emulator**

Classification	Component	Appearance	Quantity	Remarks
Hardware	Emulator box		1	HS0005KCU01H: Depth: 65.0 mm, Width: 97.0 mm, Height: 20.0 mm, Mass: 72.9 g or HS0005KCU02H: Depth: 65.0 mm, Width: 97.0 mm, Height: 20.0 mm, Mass: 73.7 g
	User system interface cable		1	14-pin type: Length: 20 cm, Mass: 33.1 g
	User system interface cable		1	36-pin type: Length: 20 cm, Mass: 49.2 g (only for HS0005KCU02H)
	USB cable		1	Length: 150 cm, Mass: 50.6 g
Software	SH7751R E10A-USB emulator setup program, SuperH™ Family E10A-USB Emulator User's Manual, Supplementary Information on Using the SH7751R*, and Test program manual for HS0005KCU01H and HS0005KCU02H		1	HS0005KCU01SR,  HS0005KCU01HJ, HS0005KCU01HE,  HS7751RKCU01HJ, HS7751RKCU01HE,  HS0005TM01HJ, and HS0005TM01HE (provided on a CD-R)

Note: Additional document for the MPUs supported by the emulator is included. Check the target MPU and refer to its additional document.

## 1.2 Connecting the E10A-USB Emulator with the User System

To connect the E10A-USB emulator (hereinafter referred to as the emulator), the H-UDI port connector must be installed on the user system to connect the user system interface cable. When designing the user system, refer to the recommended circuit between the H-UDI port connector and the MCU. In addition, read the E10A-USB emulator user's manual and hardware manual for the related device.

Table 1.2 shows the type number of the emulator, the corresponding connector type, and the use of AUD function.

**Table 1.2 Type Number, AUD Function, and Connector Type**

Type Number	Connector	AUD Function
HS0005KCU02H	36-pin connector	Available
HS0005KCU01H, HS0005KCU02H	14-pin connector	Not available

The H-UDI port connector has the 36-pin and 14-pin types as described below. Use them according to the purpose of the usage.

1. 36-pin type (with AUD function)

The AUD trace function is supported. A large amount of trace information can be acquired in realtime. The window trace function is also supported for acquiring memory access in the specified range (memory access address or memory access data) by tracing.

2. 14-pin type (without AUD function)

The AUD trace function cannot be used because only the H-UDI function is supported. For tracing, only the internal trace function is supported. Since the 14-pin type connector is smaller than the 36-pin type (1/2.5), the area where the connector is installed on the user system can be reduced.

### 1.3 Installing the H-UDI Port Connector on the User System

Table 1.3 shows the recommended H-UDI port connectors for the emulator.

**Table 1.3 Recommended H-UDI Port Connectors**

Connector	Type Number	Manufacturer	Specifications
36-pin connector	DX10M-36S	Hirose Electric Co., Ltd.	Screw type
	DX10M-36SE, DX10G1M-36SE		Lock-pin type
14-pin connector	2514-6002	Minnesota Mining & Manufacturing Ltd.	14-pin straight type

Note: When designing the 36-pin connector layout on the user board, do not connect any components under the H-UDI connector. When designing the 14-pin connector layout on the user board, do not place any components within 3 mm of the H-UDI port connector.

### 1.4 Pin Assignments of the H-UDI Port Connector

Figures 1.1 and 1.2 show the pin assignments of the 36-pin and 14-pin H-UDI port connectors, respectively.

Note: Note that the pin number assignments of the H-UDI port connector shown on the following pages differ from those of the connector manufacturer.

Pin No.	Signal	Input/Output*1	SH7751R Pin No.	Note	Pin No.	Signal	Input/Output*1	SH7751R Pin No.	Note
1	AUDCK	Output	220		19	TMS	Input	1	
2	GND	—			20	GND	—		
3	AUDATA0	Output	223		21 <sup>2</sup>	/TRST	Input	199	
4	GND	—			22	GND	—		
5	AUDATA1	Output	224		23	TDI	Input	5	
6	GND	—			24	GND	—		
7	AUDATA2	Output	227		25	TDO	Output	246	
8	GND	—			26	GND	—		
9	AUDATA3	Output	228		27 <sup>2</sup>	/ASEBRK BRKACK	I/O	245	
10	GND	—			28	GND	—		
11 <sup>2</sup>	/AUDSYNC	Output	219		29 <sup>4</sup>	UVCC	Output		
12	GND	—			30	GND	—		
13	NC	—			31 <sup>2</sup>	/RESETP	Output	198	User reset
14	GND	—			32	GND	—		
15	NC	—			33 <sup>3</sup>	GND	Output		
16	GND	—			34	GND	—		
17	TCK	Input	2		35	NC	—		
18	GND	—			36	GND	—		

Notes: 1. Input to or output from the user system.

2. The slash (/) means that the signal is active-low.

3. The emulator monitors the GND signal of the user system and detects whether or not the user system is connected.

4. If the VccQ pin is not connected to the UVCC, the I/O voltage of the user system interface will be fixed to 3.3 V.

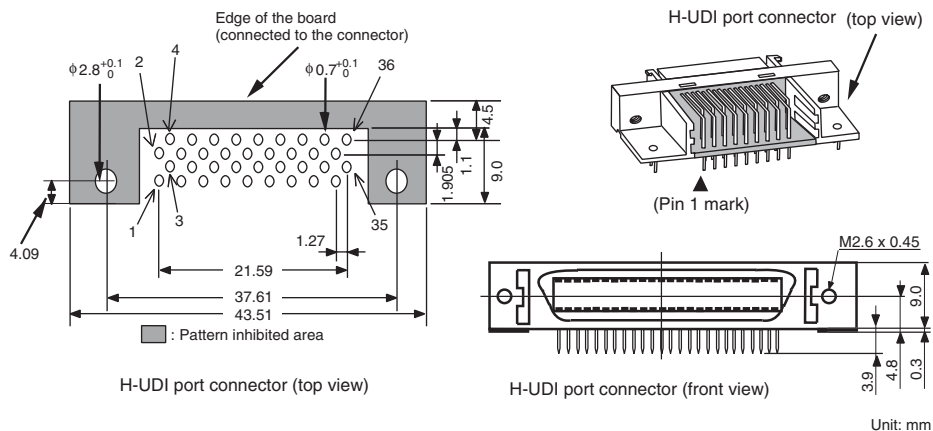
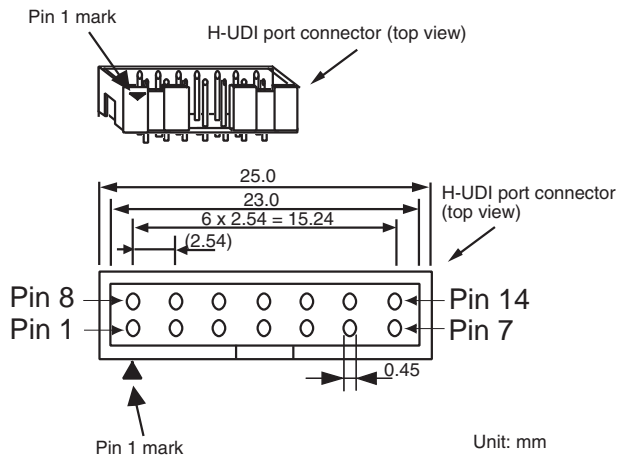


Figure 1.1 Pin Assignments of the H-UDI Port Connector (36 Pins)

Pin No.	Signal	Input/ Output*1	SH7751R Pin No.	Note
1	TCK	Input	2	
2	/TRST	*2 Input	199	
3	TDO	Output	246	
4	/ASEBRK BRKACK	*2 Output	245	
5	TMS	Input	1	
6	TDI	Input	5	
7	/RESETP	*2 Output	198	User reset
8	N.C.	*5 —	—	
9	GND	—	—	
11	UVCC	*4 Output	—	
10, 12, and 13	GND	—	—	
14	GND	*3 Output	—	

- Notes:
1. Input to or output from the user system.
  2. The slash (/) means that the signal is active-low.
  3. The emulator monitors the GND signal of the user system and detects whether or not the user system is connected.
  4. If the VccQ pin is not connected to the UVCC, the I/O voltage of the user system interface will be fixed to 3.3 V.
  5. This pin can be connected to GND.



**Figure 1.2 Pin Assignments of the H-UDI Port Connector (14 Pins)**

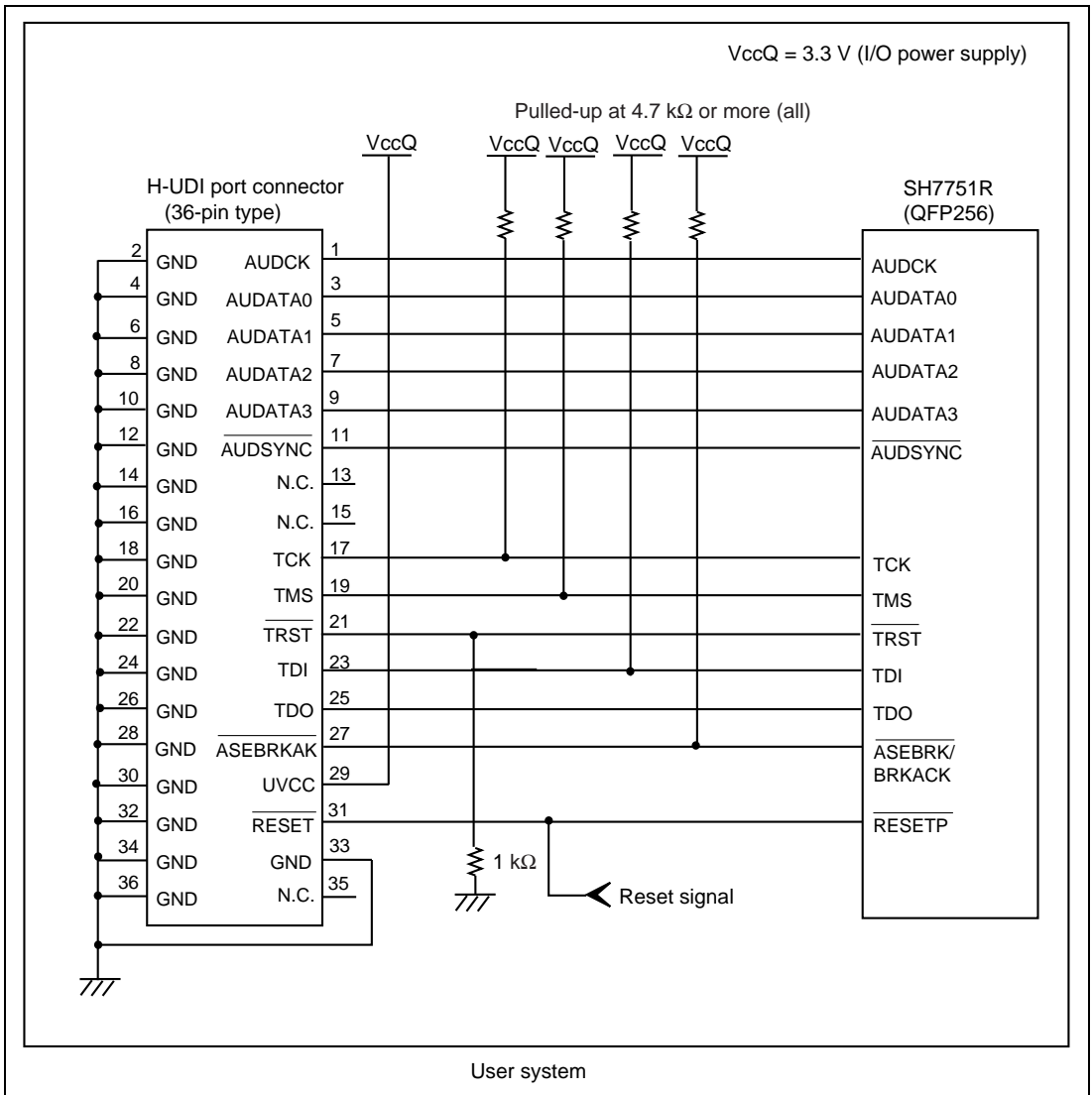
## 1.5 Recommended Circuit between the H-UDI Port Connector and the MPU

### 1.5.1 Recommended Circuit (36-Pin Type)

Figure 1.3 shows a recommended circuit for connection between the H-UDI and AUD port connectors (36 pins) and the MPU when the emulator is in use. Figure 1.4 shows a circuit for connection when UVCC is not connected.

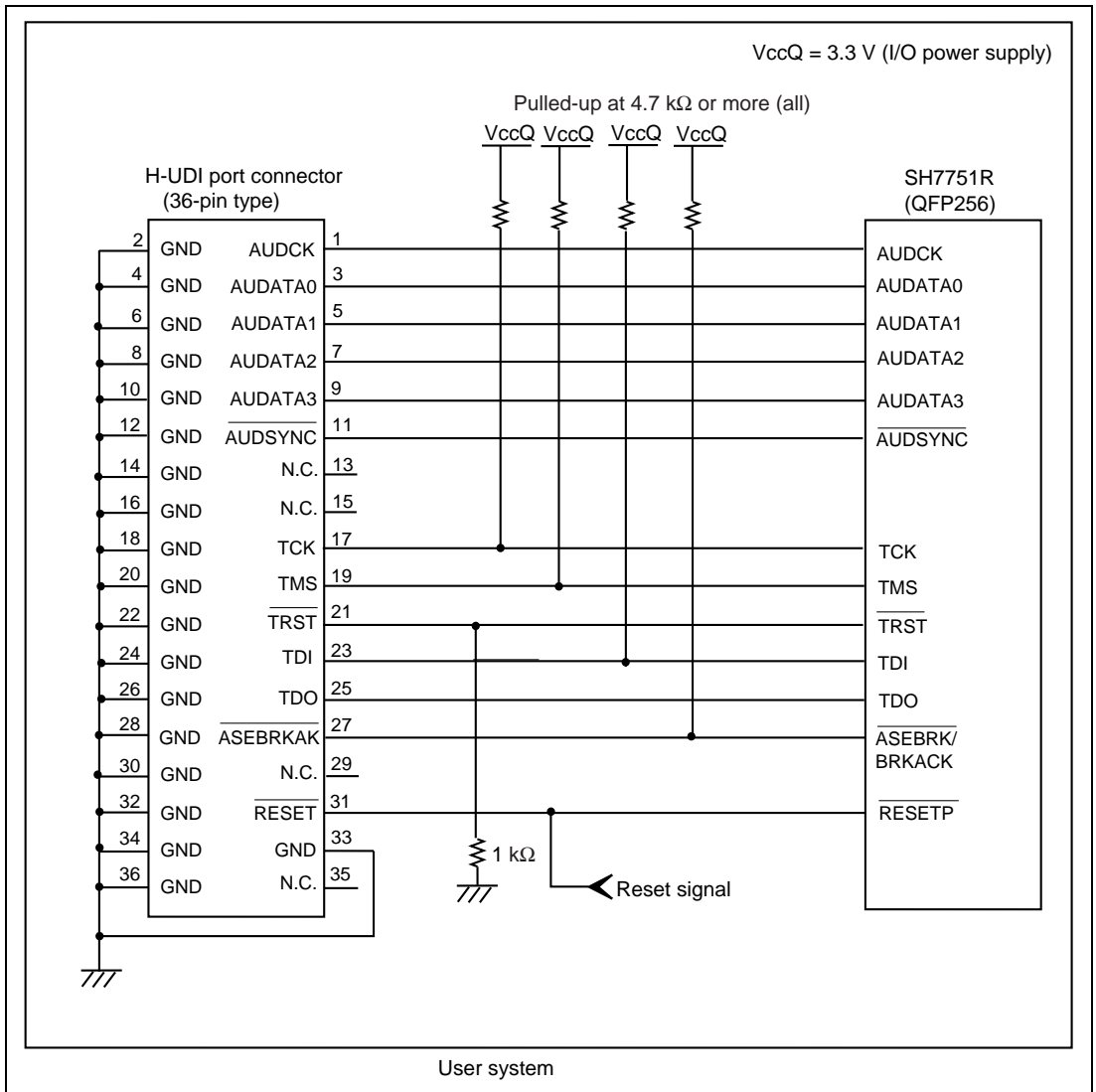
- Notes:
1. Do not connect anything to the N.C. pins of the H-UDI port connector.
  2. When a network resistance is used for pull-up, it may be affected by a noise. Separate TCK from other resistances.
  3. The pattern between the H-UDI port connector and the MPU must be as short as possible. Do not connect the signal lines to other components on the board.
  4. When the power supply of the user system is turned off, supplying VccQ of the user system to the UVCC pin reduces the leakage current from the emulator to the user system. A level shifter that is activated by the internal power supply or user power supply (changed by the switch) is installed in the interface circuit of the emulator. If the user power is supplied to the UVCC pin, the level shifter is not activated as long as no user power is supplied. When the power supply of the user system is turned off, no current flows from the user interface. The I/O voltage level of the user system interface can be the same as that of the VccQ. To operate the emulator with low voltage (lower than 3.3 V), the VccQ must be supplied to the UVCC pin. Make the emulator's switch settings so that the VccQ will be supplied (SW2 = 1 and SW3 = 1) (as shown in figure 1.3).
  5. The resistance values shown in figures 1.3 and 1.4 are recommended.
  6. For the pin processing in cases where the emulator is not used, refer to the hardware manual of the related MPU.

When the circuit is connected as shown in figure 1.3, the switches of the emulator are set as SW2 = 1 and SW3 = 1. For details, refer to section 3.8, Setting the DIP Switches, in the SuperH™ Family E10A-USB Emulator User's Manual.



**Figure 1.3 Recommended Circuit for Connection between the H-UDI Port Connector and MPU when the Emulator is in Use (36-Pin Type UVCC Connected)**

When the circuit is connected as shown in figure 1.4, the switches of the emulator are set as SW2 = 0 and SW3 = 1. For details, refer to section 3.8, Setting the DIP Switches, in the SuperH™ Family E10A-USB Emulator User's Manual.



**Figure 1.4 Circuit for Connection between the H-UDI Port Connector and MPU when the Emulator is in Use (36-Pin Type UVCC Not Connected\*)**

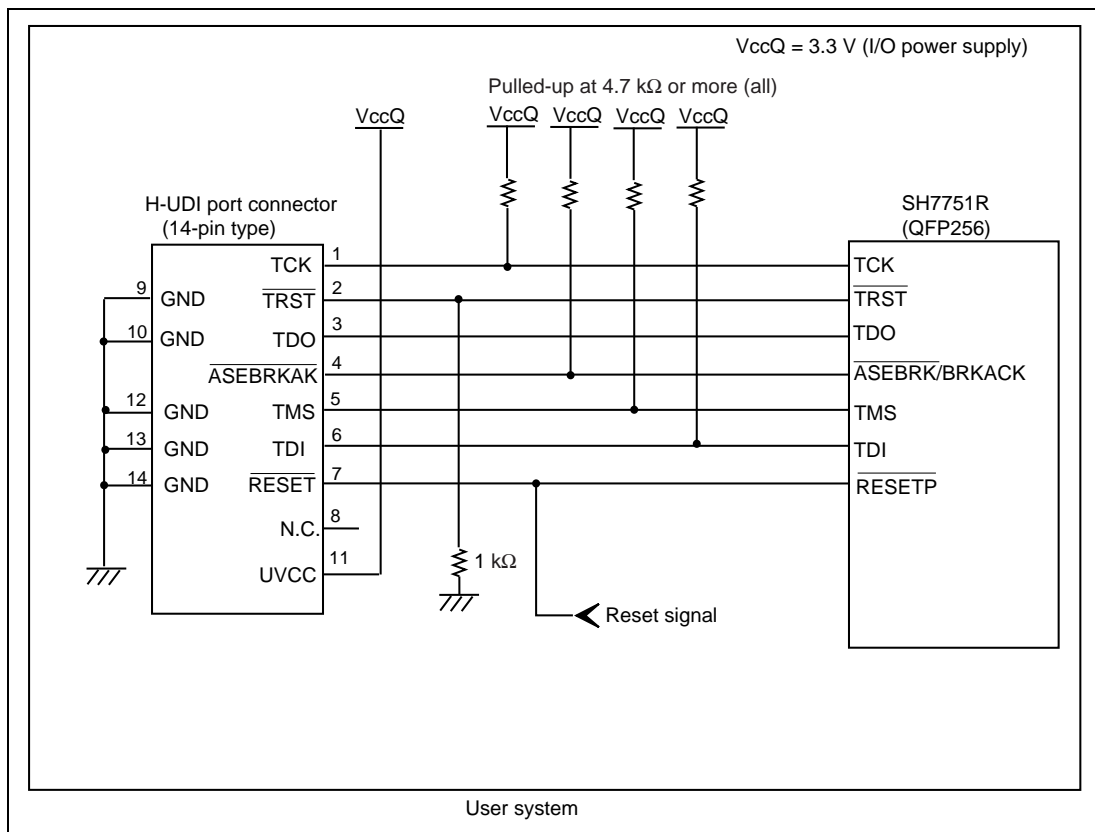
Note: When UVCC is not connected and the user system is turned off, note that the leakage current flows from the emulator to the user system.

## 1.5.2 Recommended Circuit (14-Pin Type)

Figure 1.5 shows a recommended circuit for connection between the H-UDI and AUD port connectors (14 pins) and the MPU when the emulator is in use. Figure 1.6 shows a circuit for connection when UVCC is not connected.

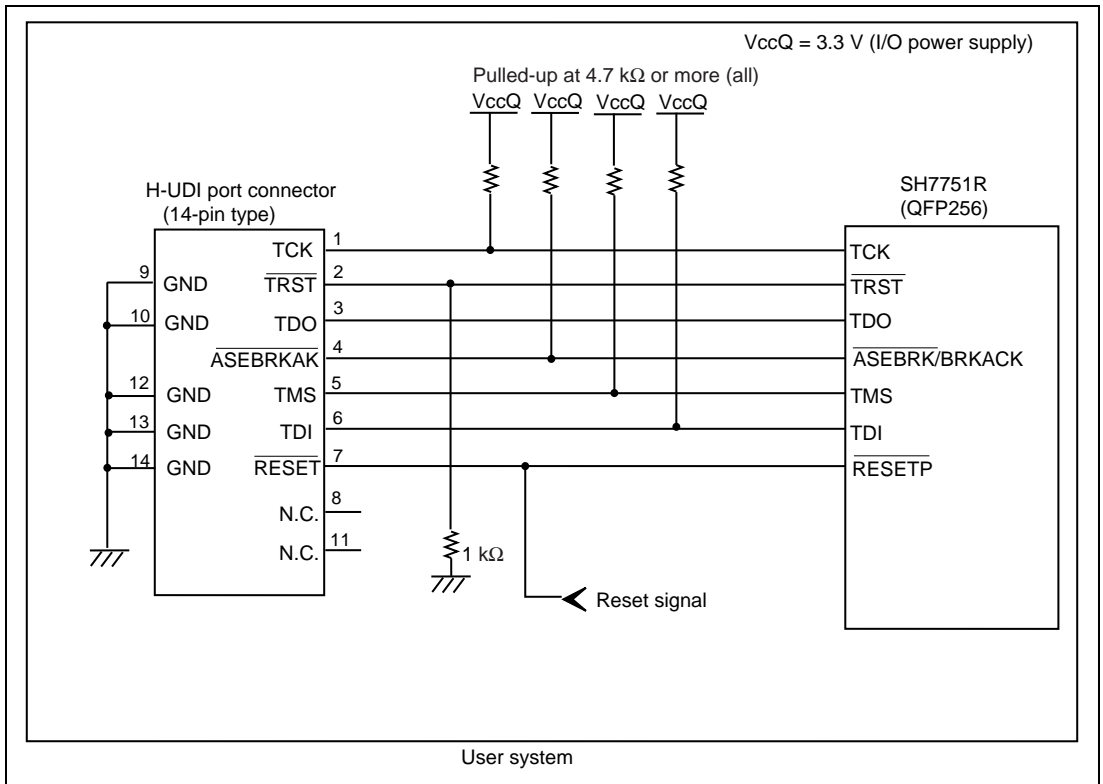
- Notes:
1. Do not connect anything to the N.C. pins of the H-UDI port connector.
  2. When a network resistance is used for pull-up, it may be affected by a noise. Separate TCK from other resistances.
  3. The pattern between the H-UDI port connector and the MPU must be as short as possible. Do not connect the signal lines to other components on the board.
  4. When the power supply of the user system is turned off, supplying VccQ of the user system to the UVCC pin reduces the leakage current from the emulator to the user system. A level shifter that is activated by the internal power supply or user power supply (changed by the switch) is installed in the interface circuit of the emulator. If the user power is supplied to the UVCC pin, the level shifter is not activated as long as no user power is supplied. When the power supply of the user system is turned off, no current flows from the user interface. The I/O voltage level of the user system interface can be the same as that of the VccQ. To operate the emulator with low voltage (lower than 3.3 V), the VccQ must be supplied to the UVCC pin. Make the emulator's switch settings so that the VccQ will be supplied (SW2 = 1 and SW3 = 1) (as shown in figure 1.5).
  5. The resistance values shown in figures 1.5 and 1.6 are recommended.
  6. For the pin processing in cases where the emulator is not used, refer to the hardware manual of the related MPU.

When the circuit is connected as shown in figure 1.5, the switches of the emulator are set as SW2 = 1 and SW3 = 1. For details, refer to section 3.8, Setting the DIP Switches, in the SuperH™ Family E10A-USB Emulator User's Manual.



**Figure 1.5 Recommended Circuit for Connection between the H-UDI Port Connector and MPU when the Emulator is in Use (14-Pin Type UVCC Connected)**

When the circuit is connected as shown in figure 1.6, the switches of the emulator are set as SW2 = 0 and SW3 = 1. For details, refer to section 3.8, Setting the DIP Switches, in the SuperH™ Family E10A-USB Emulator User's Manual.



**Figure 1.6 Circuit for Connection between the H-UDI Port Connector and MPU when the Emulator is in Use (14-Pin Type UVCC Not Connected\*)**

Note: When UVCC is not connected and the user system is turned off, note that the leakage current flows from the emulator to the user system.

# Section 2 Specifications of the Software when Using the SH7751R

## 2.1 Differences between the SH7751R and the Emulator

1. When the emulator system is initiated, it initializes the general registers and part of the control registers as shown in table 2.1. When the emulator is initiated from the workspace, a value to be entered is saved in a session.

**Table 2.1 Register Initial Values at Emulator Link Up**

<b>Register</b>	<b>Emulator at Link Up</b>
R0 to R14	H'00000000
R15 (SP)	H'00000000
R0_BANK to R7_BANK	H'00000000
PC	H'A0000000
SR	H'700000F0
GBR	H'00000000
VBR	H'00000000
MACH	H'00000000
MACL	H'00000000
PR	H'00000000
DBR	H'00000000
SGR	H'00000000
SPC	H'00000000
SSR	H'000000F0
FPUL	H'00000000
FPSCR	H'00040001
FR0 to FR15	H'00000000
XF0 to XF15	H'00000000

2. The emulator uses the H-UDI; do not access the H-UDI.

### 3. Low-Power States (Sleep, Standby, and Module Standby)

For low-power consumption, the SH7751R has sleep, standby, and module standby modes.

The sleep and standby modes are switched using the SLEEP instruction. When the emulator is used, the sleep and standby modes can be cleared by either normal clearing or with the [STOP] button. Note that, however, if a command has been entered in standby mode or module standby mode, the TIMEOUT error is displayed.

- Notes:
1. After the sleep mode is cleared by a break, execution restarts at the instruction following the SLEEP instruction.
  2. If the memory is accessed or modified in sleep mode, the sleep mode is cleared and execution starts at the instruction following the SLEEP instruction.
  3. If an operation such as the command input is performed in the hardware standby state, the command from the emulator cannot be used, or the state cannot be cancelled by the [STOP] button.
  4. When the SLEEP instruction is executed by STEP-type commands, set [Rate] to 6 to use [Step...] from the [Run] menu. If [Rate] is 5 or less, a COMMUNICATION TIMEOUT error occurs.

### 4. Reset Signals

The SH7751R reset signals are only valid during emulation started with clicking the GO or STEP-type button. If these signals are enabled on the user system in command input wait state, they are not sent to the SH7751R.

Note: Do not break the user program when the /RESET, /MRESET, or /BREQ signal is being low or the /RDY signal is being high. A TIMEOUT error will occur. If the /BREQ signal is fixed to low or the /RDY signal is fixed to high during break, a TIMEOUT error will occur at memory access.

### 5. Direct Memory Access Controller (DMAC)

The DMAC operates even when the emulator is used. When a data transfer request is generated, the DMAC executes DMA transfer.

### 6. Memory Access during User Program Execution

When a memory is accessed from the memory window, etc. during user program execution, the user program is resumed after it has stopped in the emulator to access the memory. Therefore, realtime emulation cannot be performed.

The stopping time of the user program is as follows:

Environment:

Host computer: 1 GHz (Pentium® III)

OS: Windows® 2000

SH7751R: 267 MHz (CPU clock)

JTAG clock: 16.5 MHz

When a one-byte memory is read from the command-line window, the stopping time will be about 8 ms.

## 7. Interrupt

When the NMIB bit in the ICR register is 1, the NMI interrupt is accepted during break and the program is executed from the NMI interrupt vector. If the program cannot return normally from the NMI interrupt routine or the value in the general-purpose register is not guaranteed, a communication timeout error will occur.

## 8. Memory Access during User Program Break

The emulator can download the program for the flash memory area (refer to section 6.22, Download Function to the Flash Memory Area, in the SuperH™ Family E10A-USB Emulator User's Manual). Other memory write operations are enabled for the RAM area. Therefore, an operation such as memory write or BREAKPOINT should be set only for the RAM area. When the memory area can be written by the MMU, do not perform memory write, BREAKPOINT break, or downloading.

## 9. Cache Operation during User Program Break

When cache is enabled, the emulator accesses the memory by the following methods:

- At memory write: Writes through the cache, then writes to the memory.
- At memory read: Does not change the cache write mode that has been set.

Therefore, when memory read or write is performed during user program break, the cache state will be changed.

When the half of operand cache is used as an internal RAM and memory fill is performed in this area, the verify option must be disabled. Memory fill is not performed correctly if the verify option is enabled.

## 10. UBC

When [User] is specified in the [UBC mode] list box in the [Configuration] dialog box, the UBC can be used in the user program.

Do not use the UBC in the user program as it is used by the emulator when [EML] is specified in the [UBC mode] list box in the [Configuration] dialog box.

## 11. Loading Sessions

Information in [JTAG clock] of the [Configuration] dialog box cannot be recovered by loading sessions. Thus the TCK value will be 0.625 MHz.

## 12. [IO] Window

- Display and modification

Do not change values of the User Break Controller because it is used by the emulator.

For each watchdog timer register, there are two registers to be separately used for write and read operations.

**Table 2.2 Watchdog Timer Register**

Register Name	Usage	Register
WTCSR(W)	Write	Watchdog timer control/status register
WTCNT(W)	Write	Watchdog timer counter
WTCSR(R)	Read	Watchdog timer control/status register
WTCNT(R)	Read	Watchdog timer counter

- The watchdog timer operates only when the user program is executed. Do not change the value of the frequency change register in the [IO] window or [Memory] window.
- The internal I/O registers can be accessed from the [IO] window. However, note the following when accessing the SDMR register of the bus-state controller. Before accessing the SDMR register, specify addresses to be accessed in the I/O-register definition file (SH7751R.IO) and then activate the High-performance Embedded Workshop. After the I/O-register definition file is created, the MPU's specification may be changed. If each I/O register in the I/O-register definition file differs from addresses described in the hardware manual, change the I/O-register definition file according to the description in the hardware manual. The I/O-register definition file can be customized depending on its format. Note that, however, the emulator does not support the bit-field function.
- Verify  
In the [IO] window, the verify function of the input value is disabled.

## 13. Illegal Instructions

If illegal instructions are executed by STEP-type commands, the emulator cannot go to the next program counter.

## 2.2 Specific Functions for the Emulator when Using the SH7751R

### 2.2.1 Break Condition Functions

In addition to BREAKPOINT functions, the emulator has Break Condition functions. Eight types of conditions can be set (Break Condition 1,2,3,4,5,6,7,8). Break Condition 5,6 use the user break controller (UBC). Table 2.3 lists these conditions of Break Condition.

**Table 2.3 Types of Break Conditions**

<b>Break Condition Type</b>	<b>Description</b>
Address bus condition (Address)	Breaks when the SH7751R address bus value or the program counter value matches the specified value.
Data bus condition (Data)	Breaks when the SH7751R data bus value matches the specified value. Byte, word, or longword can be specified as the access data size.
ASID condition (ASID)	Breaks when the SH7751R ASID value matches the specified condition.
Bus state condition (Bus State)	There are two bus state condition settings: Read/write condition: Breaks at the read or write cycle. Bus state condition: Breaks when the operating state in an SH7751R bus cycle matches the specified condition.
LDTLB instruction break condition	Breaks when the SH7751R executes the LDTLB instruction.
Internal I/O break condition	Breaks when the SH7751R accesses the internal I/O.

Note: For details on window function and command-line syntax, refer to the online help.

Table 2.4 lists the combinations of conditions that can be set under Break Condition 1, 2, 3, 4, 5, 6, 7, 8.

**Table 2.4 Dialog Boxes for Setting Break Conditions**

	Dialog Box			
	[Break Condition 1,5] Dialog Box	[Break Condition 2,3, 4,6] Dialog Box	[Break Condition 7] Dialog Box	[Break Condition 8] Dialog Box
Address bus condition (Address)	O	O	X	X
Data bus condition (Data)	O	X	X	X
ASID condition (ASID)	O	O	X	X
Read/write specification	O	O	X	X
Data access	O	O	X	X
Before/after execution	O	O	X	X
Sequential break	O	O	X	X
LDTLB instruction break	X	X	X	O
Internal I/O break	X	X	O	X

Note: O: Can be set in the dialog box.

X: Cannot be set in the dialog box.

The emulator has sequential break functions. Table 2.5 lists the sequential break conditions.

**Table 2.5 Sequential Break Conditions**

<b>No.</b>	<b>Break Condition</b>	<b>Description</b>
1	Sequential break condition 2-1	Program is halted when Break Condition 2 and Break Condition 1 are satisfied in that order. Break Condition 2,1 should be set.
2	Sequential break condition 3-2-1	Program is halted when Break Condition 3, Break Condition 2, and Break Condition 1 are satisfied in that order. Break Condition 3,2,1 should be set.
3	Sequential break condition 4-3-2-1	Program is halted when Break Condition 4, Break Condition 3, Break Condition 2, and Break Condition 1 are satisfied in that order. Break Condition 4,3,2,1 should be set.
4	Sequential break condition 6-5	Program is halted when Break Condition 6 and Break Condition 5 are satisfied in that order. Break Condition 6,5 should be set.

## 2.2.2 Trace Functions

The emulator supports the trace functions listed in table 2.6.

**Table 2.6 Trace Functions**

<b>Function</b>	<b>Internal Trace</b>	<b>AUD Trace</b>
Branch trace	Supported (eight branches) (32 branches at continuous trace)	Supported
Internal I/O access trace	Supported (non realtime)	Not supported
LDTLB instruction execution trace	Supported (non realtime)	Not supported
Range memory access trace	Not supported	Supported
Software trace	Not supported	Supported

Table 2.7 shows the type numbers that the AUD function can be used.

**Table 2.7 Type Number and AUD Function**

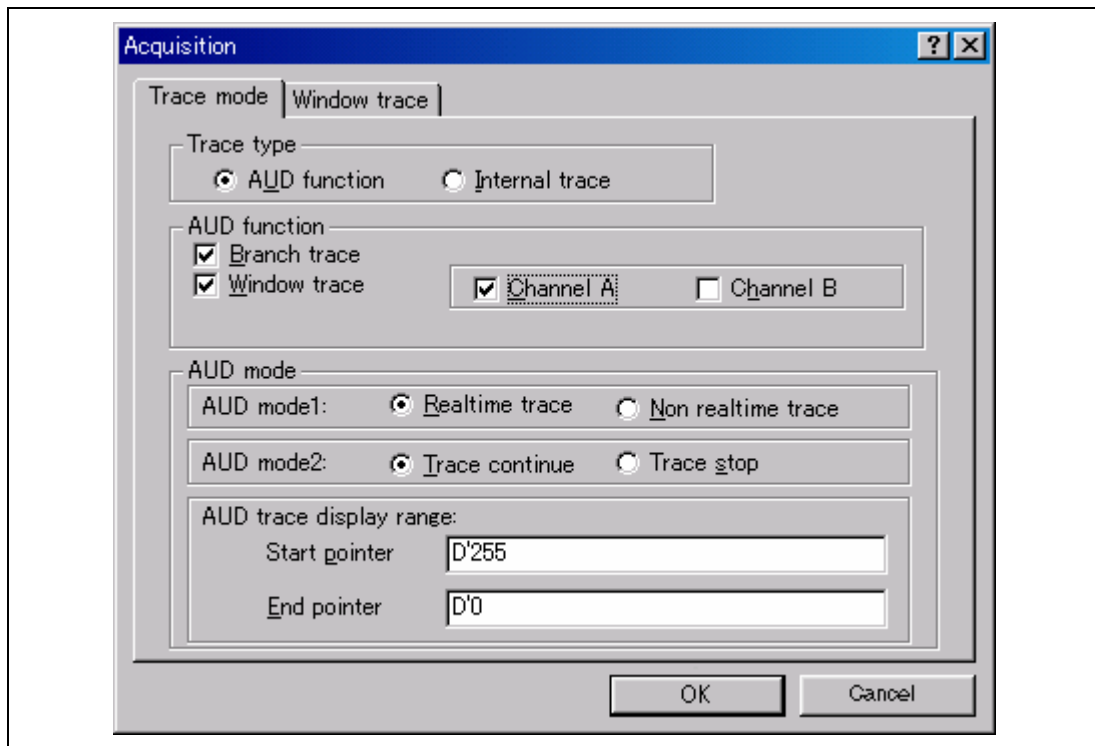
Type Number	AUD Function
HS0005KCU01H	Not supported
HS0005KCU02H	Supported

**AUD Trace Functions:** This function is operational when the AUD pin of the device is connected to the emulator. Table 2.8 shows the AUD trace acquisition mode that can be set in each trace function.

**Table 2.8 AUD Trace Acquisition Mode**

Type	Mode	Description
Continuous trace occurs	Realtime trace	When the next branch occurs while the trace information is being output, the trace information being output is output but the next trace information is not output. The user program can be executed in realtime, but some trace information may be lost.
	Non realtime trace	When the next branch occurs while the trace information is being output, the CPU stops operations until the information is output. The user program is not executed in realtime.
Trace buffer full	Trace continue	This function overwrites the oldest trace information to store the latest trace information.
	Trace stop	After the trace buffer becomes full, the trace information is no longer acquired. (The user program is continuously executed.)

To set the AUD trace acquisition mode, click the [Trace] window with the right mouse button and select [Setting] from the pop-up menu to display the [Acquisition] dialog box. The AUD trace acquisition mode can be set in the [AUD mode1] or [AUD mode2] group box in the [Trace mode] page of the [Acquisition] dialog box.



**Figure 2.1 [Trace mode] Page**

When the AUD trace function is used, select the [AUD function] radio button in the [Trace type] group box of the [Trace mode] page.

(a) Branch Trace Function

The branch source and destination addresses and their source lines are displayed.

Branch trace can be acquired by selecting the [Branch trace] check box in the [AUD function] group box of the [Trace mode] page.

(b) Window Trace Function

Memory access in the specified range can be acquired by trace.

Two memory ranges can be specified for channels A and B. The read, write, or read/write cycle can be selected as the bus cycle for trace acquisition.

[Setting Method]

- (i) Select the [Channel A] and [Channel B] check boxes in the [AUD function] group box of the [Trace mode] page. Each channel will become valid.
- (ii) Open the [Window trace] page and specify the bus cycle and memory range that are to be set for each channel.

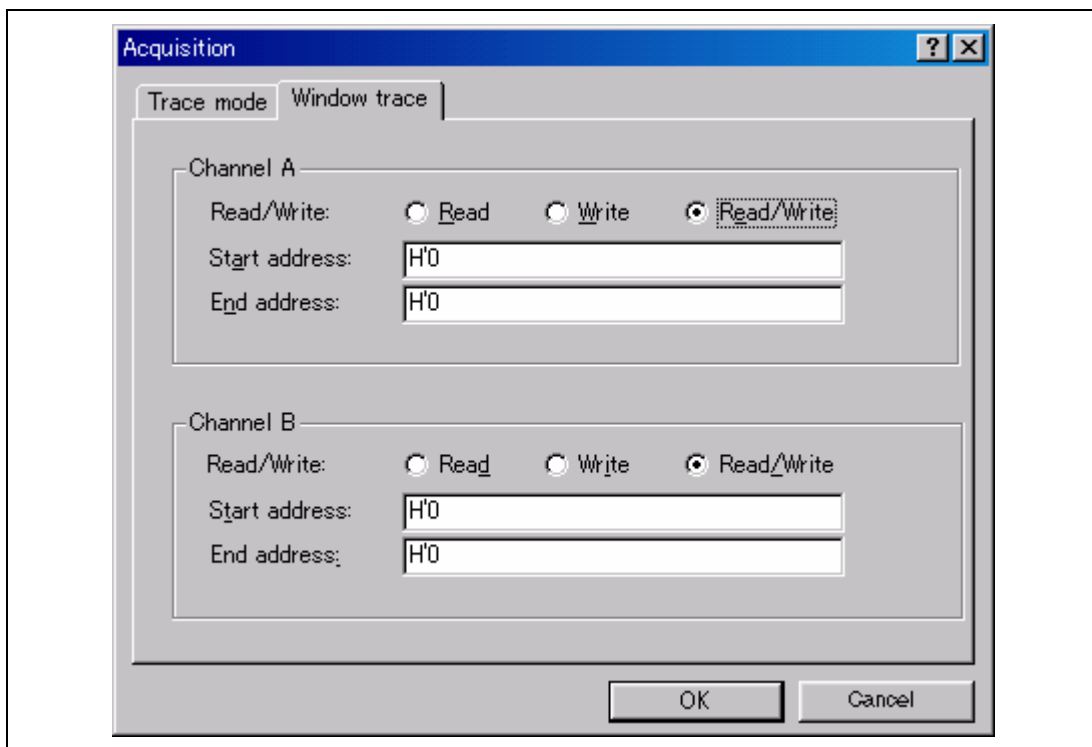


Figure 2.2 [Window trace] Page

### (c) Software Trace Function

Note: This function can be supported with SHC compiler (manufactured by Renesas Technology Corp.; including OEM and bundle products) V6.0 or later.

When a specific instruction is executed, the PC value at execution and the contents of one general register are acquired by trace. Describe the Trace(x) function (x is a variable name) to be compiled and linked beforehand. For details, refer to the SuperH™ RISC engine C/C++ Compiler, Assembler, Optimizing Linkage Editor User's Manual.

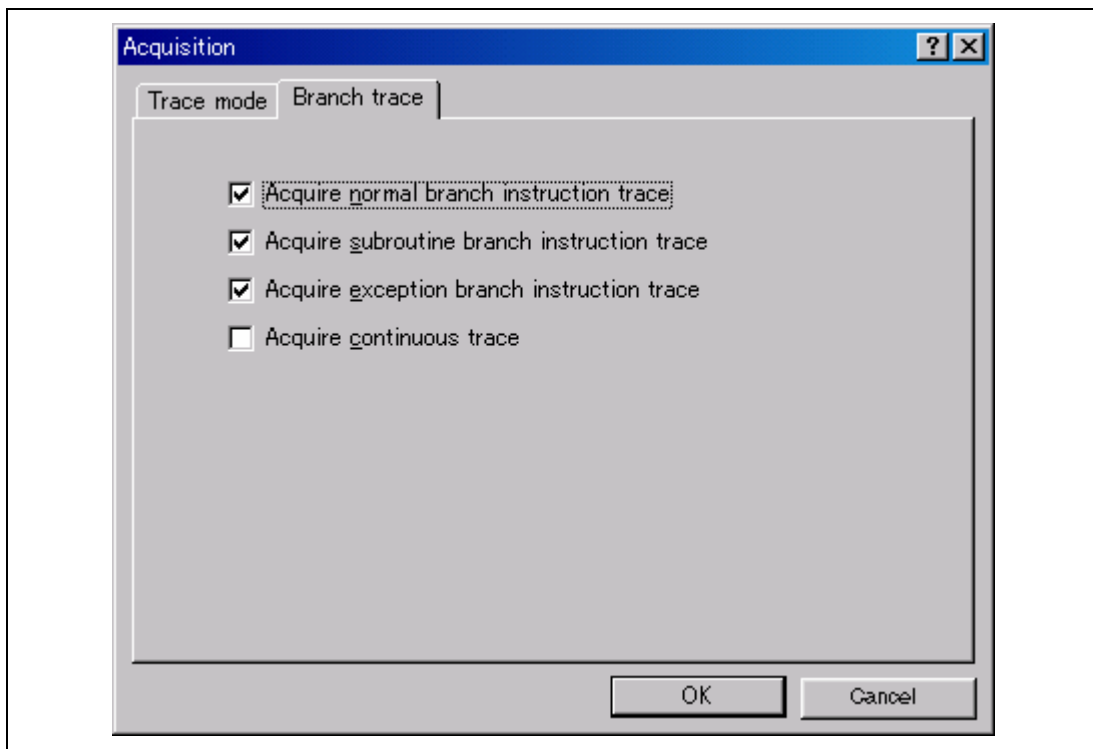
When the load module is loaded on the emulator and a valid software trace function is executed, the PC value that has executed the Trace(x) function, the general register value for x, and the source lines are displayed.

To activate the software trace function, select the [Software trace] check box in the [AUD function] group box of the [Trace mode] page.

#### Notes on AUD Trace:

1. If a TLB error occurs in the trace acquisition information display, the [Trace] window displays the contents. However, mnemonics, operands, or source is not displayed.
2. When the trace display is performed during user program execution, the mnemonics, operands, or source is not displayed.
3. When MMU settings are modified or when a user program is changed after GO command completion before trace display, the displayed mnemonics, operands, or source may not be correct.
4. The AUD trace function outputs the differences between newly output branch source addresses and previously output branch source addresses. The window trace function outputs the differences between newly output addresses and previously output addresses. If the previous branch source address is the same as the upper 16 bits, the lower 16 bits are output. If it matches the upper 24 bits, the lower 8 bits are output. If it matches the upper 28 bits, the lower 4 bits are output.  
The emulator regenerates the 32-bit address from these differences and displays it in the [Trace] window. If the emulator cannot display the 32-bit address, it displays the difference from the previously displayed 32-bit address.
5. If the 32-bit address cannot be displayed, the source line is not displayed.
6. In the emulator, when multiple loops are performed to reduce the number of AUD trace displays, only the IP counts up.
7. When the SH7751R is used, the maximum number of trace display pointers is D'32767 to -0. However, the maximum number of trace display pointers differs according to the AUD trace information to be output. Therefore, the above pointers cannot be always acquired.

**Internal Trace Function:** This function is activated by selecting the [Internal trace] radio button in the [Trace type] group box of the [Trace mode] page. See figure 2.1, [Trace mode] Page. The internal trace functions are also activated by selecting each check box on the [Branch trace] page.



**Figure 2.3 [Branch trace] Page**

Table 2.9 shows the internal trace functions.

**Table 2.9 Internal Trace Functions**

<b>Function</b>	<b>Description</b>
Branch instruction trace	<p>Traces and displays the branch instructions. The branch source address and branch destination address for the eight latest branch instructions are displayed. There are three kinds of branch instruction trace:</p> <ul style="list-style-type: none"><li data-bbox="491 363 1141 547">• Normal branch instruction trace Traces and displays the normal branch instructions. The normal branch instructions are the BF, BF/S, BT/S, BRA, BRAF, and JMP instructions. To use this function, select the [Acquire normal branch instruction trace] check box in the [Branch trace] page.</li><li data-bbox="491 560 1141 743">• Subroutine branch instruction trace Traces and displays the subroutine branch instructions. The subroutine branch instructions are the BSR, BSRF, JSR, and RTS instructions. To use this function, select the [Acquire subroutine branch instruction trace] check box in the [Branch trace] page.</li><li data-bbox="491 756 1141 962">• Exception branch instruction trace Traces and displays the exception branch instruction. The exception branch instruction is the RTE instruction. In addition, all the exception and interrupt operations are traced. To use this function, select the [Acquire exception branch instruction trace] check box in the [Branch trace] page.</li></ul>
Continuous trace	<p>Acquires the trace information continuously. This is called continuous trace. For the branch instruction trace, eight-branch information can be repeatedly acquired a maximum of four times. Select the [Acquire continuous trace] check box in the [Branch trace] page. If continuous trace is selected, realtime trace cannot be performed.</p>

**Table 2.9 Internal Trace Functions (cont)**

Function	Description
Internal I/O trace	Traces and displays the address and data that access the internal I/O area. To use this function, select the [Get trace information of internal I/O Area] radio button in the [Break Condition 7] dialog box and the [Acquire continuous trace] check box in the [Branch trace] page.
LDTLB instruction execution trace	Traces and displays the address that executes the LDTLB instruction. To use this function, select the [Get trace information of LDTLB instruction] radio button in the [Break Condition 8] dialog box and the [Acquire continuous trace] check box in the [Branch trace] page.

- Notes:
1. When the continuous trace is not used, trace acquisition of the eight latest branch instructions is enabled.
  2. If an interrupt is generated at the program execution start or end, including a step operation, the emulator address may be acquired. In such a case, the following message will be displayed. Ignore this address because it is not a user program address.  
\*\*\* EML \*\*\*
  3. If a completion-type exception occurs during exception branch acquisition, the next address to the address in which an exception occurs is acquired.
  4. When a user interrupt is enabled by the INTERRUPT command during the emulator command wait state or user program execution, an interrupt that is generated at the program execution start or end, including a step operation, can be traced in realtime.
  5. When the [Acquire continuous trace] check box is selected, do not perform memory access during emulation.
  6. When internal I/O trace or LDTLB instruction trace is performed, select the [Acquire continuous trace] check box.
  7. When the [Acquire continuous trace] check box is selected, 32 trace information data can be acquired. In this case, however, since the user program stops at constant intervals, the processing speed is decreased compared with the case where the [Acquire continuous trace] check box is not selected.
  8. Trace information cannot be acquired for the following branch instructions:
    - The BF and BT instructions whose displacement value is 0
    - Branch to H'A0000000 by reset

9. When the [Acquire continuous trace] check box is selected, and when either the [Get trace information of internal I/O area] radio button (internal I/O trace enabled) or the [Get trace information of LDTLB instruction] radio button is selected (LDTLB instruction trace enabled) with the [Break Condition 5] dialog box,
  - An internal I/O trace cannot be made with the Step In function.
  - The LDTLB instruction and internal I/O trace cannot be performed with the Step Over function.
10. When continuous trace is used, do not enable user interrupt by the INTERRUPT command during the emulator command wait state or user program execution.

### 2.2.3 Notes on Using the JTAG Clock (TCK) and AUD Clock (AUDCK)

1. Set the JTAG clock (TCK) frequency to lower than the frequency of the SH7751R peripheral module clock (CKP).
2. Set the AUD clock (AUDCK) frequency to 50 MHz or lower.

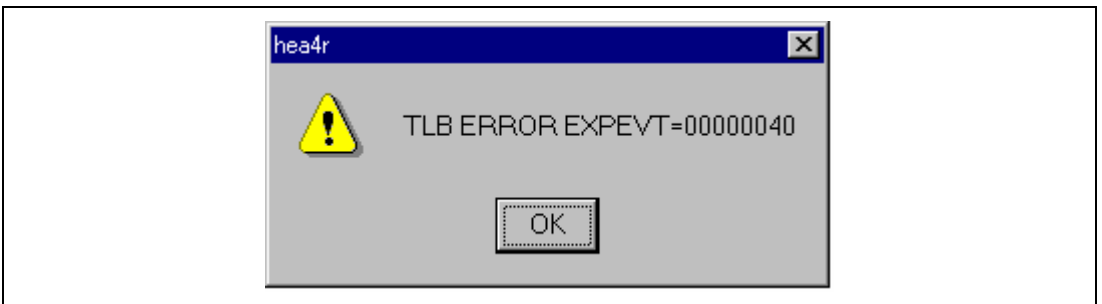
### 2.2.4 Notes on Setting the [Breakpoint] Dialog Box

1. When an odd address is set, the next lowest even address is used.
2. A BREAKPOINT is accomplished by replacing instructions of the specified address. Accordingly, it can be set only to the internal RAM area. However, a BREAKPOINT cannot be set to the following addresses:
  - An address whose memory content is H'003B
  - An area other than the internal RAM
  - An instruction in which Break Condition 3 is satisfied
  - A slot instruction of a delayed branch instruction

In addition, do not perform memory write, BREAKPOINT, or download even if the memory space can only be written by the MMU.

3. During step operation, a BREAKPOINT is disabled.
4. Conditions set at Break Condition 3 are disabled when an instruction to which a BREAKPOINT has been set is executed. Do not set a BREAKPOINT to an instruction in which Break Condition 3 is satisfied.
5. When execution resumes from the address where a BREAKPOINT is specified, single-step operation is performed at the address before execution resumes. Therefore, realtime operation cannot be performed.
6. When a BREAKPOINT is set to the slot instruction of a delayed branch instruction, the PC value becomes an illegal value. Accordingly, do not set a BREAKPOINT to the slot instruction of a delayed branch instruction.

7. When the [Normal] option is selected in the [Memory area] group box in the [General] page of the [Configuration] dialog, a BREAKPOINT is set to a physical address or a virtual address according to the SH7751R MMU status during command input when the VPMAP\_SET command setting is disabled. The ASID value of the SH7751R PTEH register during command input is used. When VPMAP\_SET command setting is enabled, a BREAKPOINT is set to a physical address into which address translation is made according to the VP\_MAP table. However, for addresses out of the range of the VP\_MAP table, the address to which a BREAKPOINT is set depends on the SH7751R MMU status during command input. Even when the VP\_MAP table is modified after BREAKPOINT setting, the address translated at BREAKPOINT setting is valid.
8. When the [Physical] option is selected in the [Memory area] group box in the [General] page of the [Configuration] dialog box, a BREAKPOINT is set to a physical address. A BREAKPOINT is set after disabling the SH7751R MMU during program execution. After setting, the MMU is returned to the original state. When a break occurs at the corresponding virtual address, the cause of termination displayed in the status bar and the [Status] window is ILLEGAL INSTRUCTION, not BREAKPOINT.
9. When the [Virtual] option is selected in the [Memory area] group box in the [General] page of the [Configuration] dialog box, a BREAKPOINT is set to a virtual address. A BREAKPOINT is set after enabling the SH7751R MMU during program execution. After setting, the MMU is returned to the original state. When an ASID value is specified, the BREAKPOINT is set to the virtual address corresponding to the ASID value. The emulator sets the BREAKPOINT after rewriting the ASID value to the specified value, and returns the ASID value to its original value after setting. When no ASID value is specified, the BREAKPOINT is set to a virtual address corresponding to the ASID value at command input.
10. If a TLB error occurs during virtual address setting, the following message box will be displayed.



**Figure 2.4 Message Box for Clearing a TLB Error**

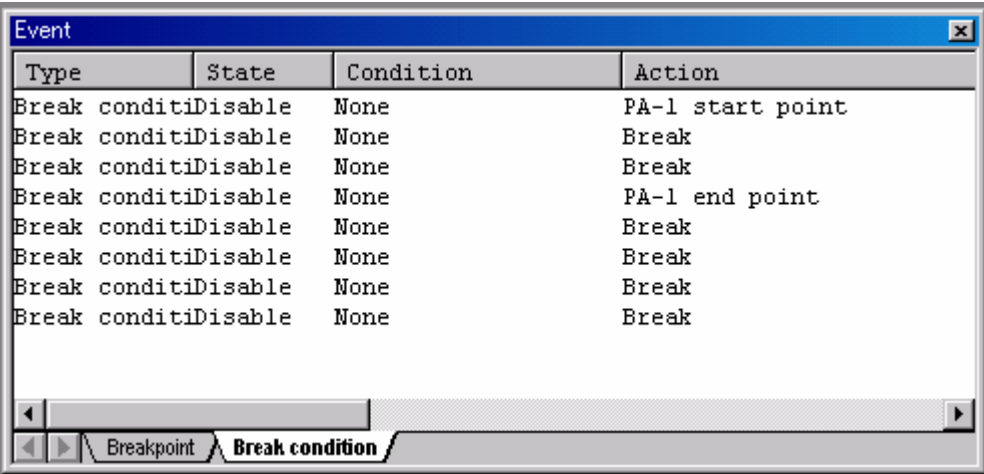
If a program is executed again without clearing the BREAKPOINT set at the address in which the TLB error occurs, a TLB error will occur again. Accordingly, clear the BREAKPOINT before execution.

11. An address (physical address) to which a BREAKPOINT is set is determined when the BREAKPOINT is set. Accordingly, even if the VP\_MAP table is modified after BREAKPOINT setting, the BREAKPOINT address remains unchanged. When a BREAKPOINT is satisfied with the modified address in the VP\_MAP table, the cause of termination displayed in the status bar and the [Status] window is ILLEGAL INSTRUCTION, not BREAKPOINT.
12. When a BREAKPOINT is set to the cacheable area, the cache block containing the BREAKPOINT address is filled immediately before and after user program execution.
13. While a BREAKPOINT is set, the contents of the instruction cache are disabled at execution completion.
14. If an address of a BREAKPOINT cannot be correctly set in the ROM or flash memory area, a mark ● will be displayed in the [BP] area of the address on the [Source] or [Disassembly] window by refreshing the [Memory] window, etc. after Go execution. However, no break will occur at this address. When the program halts with the break condition, the mark ● disappears.

## **2.2.5 Notes on Setting the [Break Condition] Dialog Box and the BREAKCONDITION\_SET Command**

1. When [Go to cursor], [Step In], [Step Over], or [Step Out] is selected, the settings of Break Condition 3 are disabled.
2. Break Condition 3 is disabled when an instruction to which a BREAKPOINT has been set is executed. Accordingly, do not set a BREAKPOINT to an instruction which satisfies Break Condition 3.
3. When a Break Condition is satisfied, emulation may stop after two or more instructions have been executed.
4. If a PC break before execution is set to the slot instruction after a delayed branch instruction, user program execution cannot be terminated before the slot instruction execution; execution stops before the branch destination instruction.
5. Break Condition 5,6 use the UBC. When the UBC is used in the user program, change the UBC setting for users by using the [UBC\_mode] list box in the [Configuration] dialog box or the UBC\_mode command.
6. Break Condition 1,4 are used as the measurement range in the performance measurement function when [PA-1 start point] and [PA-1 end point] are displayed on the [Action] part in the [Break condition] sheet of the [Event] window. For setting the performance measurement function, refer to section 2.2.6, Performance Measurement Functions. This applies when the Break Condition is displayed with the BREAKCONDITION\_DISPLAY command in the

command-line function. In this case, a break does not occur when Break Condition 1,4 are satisfied.



Type	State	Condition	Action
Break conditi	Disable	None	PA-1 start point
Break conditi	Disable	None	Break
Break conditi	Disable	None	Break
Break conditi	Disable	None	PA-1 end point
Break conditi	Disable	None	Break
Break conditi	Disable	None	Break
Break conditi	Disable	None	Break
Break conditi	Disable	None	Break

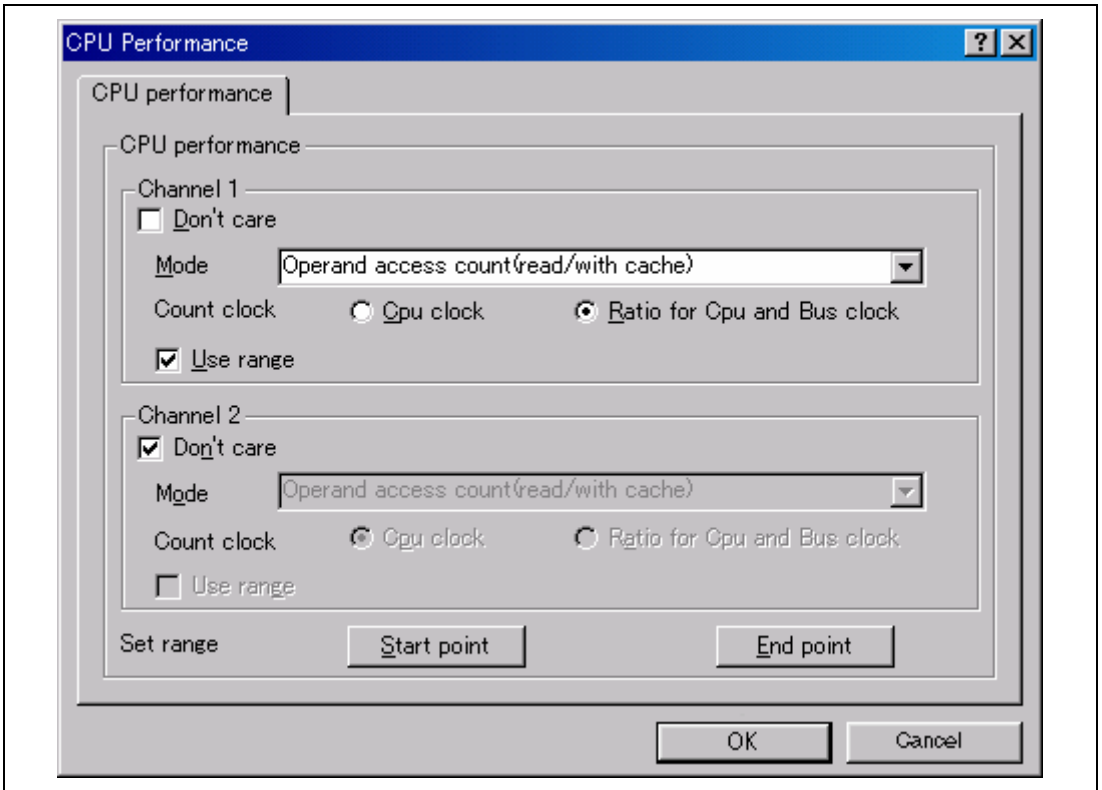
Figure 2.5 [Event] Window

## 2.2.6 Performance Measurement Functions

The emulator supports the performance measurement function.

### 1. Setting the performance measurement conditions

To set the performance measurement conditions, use the [CPU Performance] dialog box and the PERFORMANCE\_SET command. When any line on the [Performance Analysis] window is clicked with the right mouse button, the popup menu is displayed and the [CPU Performance] dialog box is displayed by selecting [Setting].



**Figure 2.6 [CPU Performance] Dialog Box**

Note: For the command line syntax, refer to the online help.

The emulator measures how many times the conditions of the user program specified with the performance analysis function are satisfied. For this function, two events can be measured simultaneously and the following conditions can be specified:

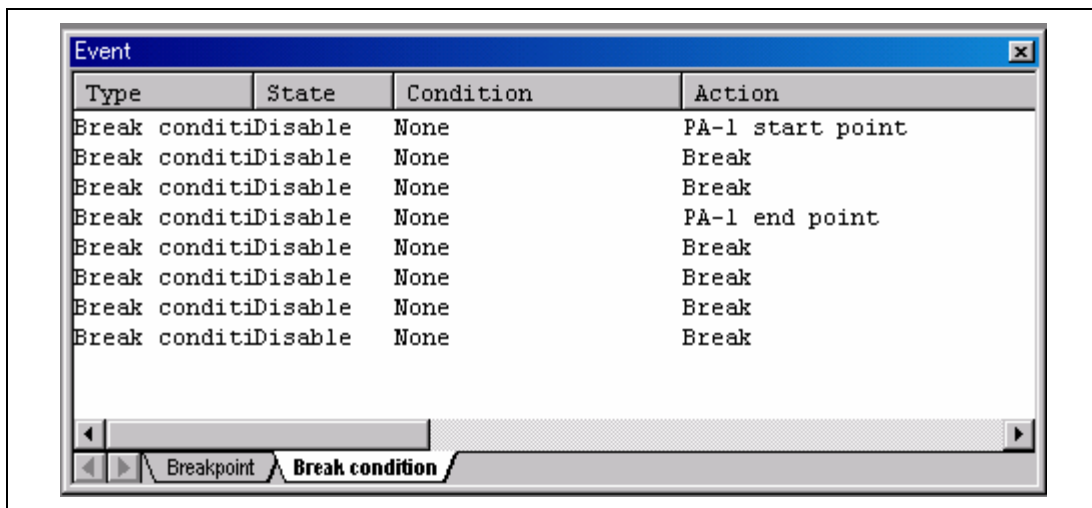
(a) Measurement range

One of the following ranges can be specified by either of measurement channels 1 and 2.

1. From the start to the end of the user program execution
2. From the satisfaction of the condition set in Break Condition 1 to the satisfaction of the condition set in Break Condition 4

When the first range is specified, the measurement result includes a several-cycle error for one user program execution. Therefore, do not specify this range when the step is to be executed. In addition, the user program execution stops when continuous trace is used; again, do not specify the first range in this case.

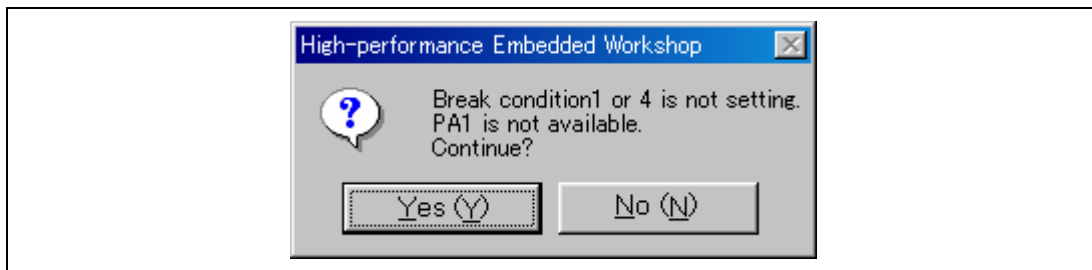
In the second range, [PA-1 start point] and [PA-1 end point] are displayed on the [Action] part in the [Break condition] sheet of the [Event] window.



**Figure 2.7 [Event] Window ([Break condition] Sheet)**

In this case, break will not occur when the conditions of Break Condition 1 and Break Condition 4 are satisfied.

**Note:** When the range is specified, be sure to set the measurement start and end conditions for Break Condition 1 and Break Condition 4, respectively, and then execute the user program. If Break Condition 1 or Break Condition 4 is not set and the user program is executed, performance is not measured normally. In this case, the following dialog box is displayed.



**Figure 2.8 [High-performance Embedded Workshop] Dialog Box**

(b) Measurement item

Items are measured with [Channel 1 to 2] in the [CPU Performance] dialog box. Maximum two conditions can be specified at the same time. Table 2.10 shows the measurement items (Options in table 2.10 are parameters for <mode> of the PERFORMANCE\_SET command. They are displayed for NAME in the [Performance Analysis] window).

**Table 2.10 Measurement Items**

<b>Event</b>	<b>Keyword</b>	<b>Description</b>
Operand access count (read/with cache)	OAR*	The number of times the operand access is performed on the cacheable area when the cache is enabled (read access only).
Operand access count (write/with cache)	OAW*	The number of times the operand access is performed on the cacheable area when the cache is enabled (write access only).
Operand access count (read and write/with cache)	OARW*	The number of times the operand access is performed on the cacheable area when the cache is enabled (both read and write accesses).
Internal RAM operand access count	OARAM	The number of times the internal RAM area is accessed.
All operand access count	OA	The number of all operand accesses.
Internal I/O area access count	IOA	The number of times the internal I/O area is accessed.
Operand cache read miss count	DCR	The number of times operand cache misses occur at data reading.
Operand cache write miss count	DCW	The number of times operand cache misses occur at data writing.
Operand cache read and write miss count	DCRW	The number of times operand cache misses occur at data reading or writing.
Instruction cache miss count	EC	The number of times instruction cache misses.
UTLB miss count	DT	The number of times UTLB misses occur at data access.
Instruction TLB miss count (ITLB and UTLB misses)	ET	The number of times UTLB and ITLB misses occur at instruction access.
Instruction cache miss count	EF*	The number of times instructions are fetched from the cacheable area when the cache is enabled.
All instruction fetch count	EA	The number of times all instructions are fetched.
Branch instruction execution count	B	The number of times branch instructions are issued (instructions to be counted: BF (other than displacement 0), BF/S and BT (other than displacement 0), BT/S, BRA, BRAF, and JMP).
Branch taken count	BT	The number of times branches are taken (branches to be counted are the same as mode B).
BSR/BSRF/JSR instruction execution count	BBJ	The number of times the BSR, BSRF, or JSR instruction is issued.
Instruction execution count	E	The number of times instructions are issued.

**Table 2.10 Measurement Items (cont)**

<b>Event</b>	<b>Keyword</b>	<b>Description</b>
Two-instruction concurrent execution count	E2	The number of times two instructions are issued at the same time.
FPU instruction execution count	EFP	The number of times FPU instruction is issued.
TRAPA instruction execution count	ETR	The number of times the TRAPA instruction is executed.
Interrupt count (normal)	INT	The number of interrupts (generally except for NMI).
Interrupt count (NMI)	NMI	The number of NMI interrupts.
UBC-A match count	UA	The number of times channel A of UBC is satisfied.
UBC-B match count	UB	The number of times channel B of UBC is satisfied.
Instruction cache-fill cycle	ECF	The number of instruction cache-fill cycles.
Operand cache-fill cycle	OCF	The number of operand cache-fill cycles.
Elapsed-time cycle	TM	The number of cycles for elapsed time.
Pipeline-freeze (by cache miss or instruction)	PFCF	Pipeline-freeze cycle due to instruction cache misses.
Pipeline-freeze (by cache miss or data)	PFCD	Pipeline-freeze cycle due to operand cache misses.
Pipeline-freeze (by branch instruction/interrupt)	PFB	Pipeline-freeze cycle due to branch instructions or exceptions.

Note: For the non-cache operand accesses due to the PREF instruction or TLB.c=0, the correct value cannot be counted.

The events can be counted even in the conditions shown in table 2.11, in addition to the normal count conditions.

**Table 2.11 Performance Count Conditions**

<b>Event</b>	<b>Count Condition</b>	<b>Target Mode</b>
Instruction cache miss count	<ul style="list-style-type: none"> <li>Includes instruction fetch for the cache-off area to count the number of times the instruction has not been fetched in one cycle.</li> <li>When a cache miss occurs during an overrun fetch generated at exception.</li> </ul>	EC
TLB miss count	When the TLB miss is canceled by an exception having a higher priority than that of the TLB miss	DT and ET
Instruction fetch count	When the instruction fetch request by the CPU is accepted.	EF and EA
Instruction issue count	Counts one when two instructions are issued at the same time.	E
	Counts one to three when instruction fetch exception (instruction address error, instruction TLB miss exception, or instruction TLB protection violation exception) occurs.	E and E2
FPU instruction issue count	<ul style="list-style-type: none"> <li>Counts one when two instructions are issued at the same time.</li> <li>The following shows the FPU instructions: LDS Rm, FPUL, LDS.L @Rm+, FPUL, LDS Rm, FPSCR, LDS.L @Rm+, FPSCR, STS FPUL, Rn, STS.L FPUL, @-Rn, STS FPSCR, Rn, STS.L FPSCR, @-Rn</li> <li>Others: instructions that the instruction code is H'Fxxx</li> </ul>	EFP
UBC satisfaction count	Also counts when the emulator uses the UBC as Break Condition 5,6.	UA and UB
Pipeline freeze due to cache miss	Includes the following freeze times: <ul style="list-style-type: none"> <li>At internal RAM or internal I/O space access</li> <li>At instruction or operand access without cache</li> </ul>	PFCE and PFCD
Pipeline freeze cycle due to branch instruction or exception	Counts only one cycle at branch instruction execution except when the delay slot instruction is executed with one-cycle delay. One instruction is executed in one cycle, which is similar to the branch count. When the instruction in the branch destination does not exist in the instruction cache, the delay after the second cycle is counted by the ECF. In the PFB, all branch instructions can be counted.	PFB

(c) Counting method

One of the following methods can be specified by each of measurement channels 1 and 2.

1. Counted by the CPU operating clock
2. Counted by the ratio of the CPU operating clock to the bus clock

When the above method 1 is specified, one CPU operating clock cycle is counted as one.

When method 2 is specified, the count is incremented by 3, 4, 6, 8, 12, or 24, according to the clock frequency ratio (ratio of the CPU clock to the bus clock). In this case, the execution time can be calculated by the following expression:

$$T = C \times B / 24 \quad (\text{T: Execution time; B: Time of one bus clock cycle; C: Count})$$

When the ratio of the CPU clock to the bus clock is changed in the user program, it is recommended to select method 2, above, to count the number of cycles.

The following shows examples to measure the performance of the user program by the performance measurement function.

(i) Measuring cache hit ratio

Specify measurement channel 1 to count the cache misses (for data read and write) and specify measurement channel 2 to count operand accesses (read and write) to the cacheable area while the cache is enabled. Specify, with both the channels, the measurement from the start to the end of user program execution.

With the above command settings, the cache miss count and the access count to the cacheable area can be measured, and the cache hit ratio in the executed user program can be obtained.

(ii) Measuring ratio of execution time in specified program area to total execution time

Specify measurement channel 1 to measure the elapsed cycle count from the start to the end of user program execution. Specify measurement channel 2 to measure the elapsed cycle count during execution from the specified start PC to the specified end PC.

With both the channels, the total elapsed cycle and the elapsed cycle for the specified program area can be measured, and the ratio of the execution time in the specified program area to the total execution time can be obtained.

- Notes:
1. The counter for performance measurement has 48 bits. A maximum of  $2^{48} = 2.8 \times 10^{14}$  counts and 11.6-day cycles (when the CPU operating frequency is 267 MHz) can be measured. If a counter overflow occurs, the count becomes invalid.
  2. For details on command-line syntax, refer to the online help.

## 2. Displaying the measured result

The measured result is displayed in the [Performance Analysis] window or the PERFORMANCE\_ANALYSIS command with hexadecimal (32 bits).

Note: If a performance counter overflows as a result of measurement, “\*\*\*\*\*” will be displayed.

## 3. Initializing the measured result

To initialize the measured result, select [Initialize] from the popup menu in the [Performance Analysis] window or specify INIT with the PERFORMANCE\_ANALYSIS command.

### 2.2.7 Interrupts

During emulation, any interrupt to the SH7751R can be used. Whether or not to process interrupts during emulator command execution or in command input wait state can be specified.

— When no interrupt is processed during user program break

While the emulator is executing the user program or is in command input wait state, interrupts are not processed generally. However, if an internal interrupt or an edge sensitive external interrupt occurs in command input wait state, the emulator holds the interrupt and executes the interrupt processing routine when the GO command is entered.

— When interrupts are processed during user program break

Use the INTERRUPT command to execute an interrupt during a user program break. This function is supported only with the command lines.

- Execute only non-maskable interrupt (NMI)
- Sets the priority and executes only interrupts with high priority

- Notes:
1. Check that the interrupt handler operates normally before using this function. In addition, do not execute a non-limited loop or the sleep instruction in the interrupt handler. If the processing of the handler does not end, the emulator generates a Communication Timeout error.
  2. When interrupts are accepted during user program break, user interrupt processing is not traced. In this case, continuous trace is not enabled.
  3. Use the NOP instruction at the delay slot after the RTE instruction in the interrupt handler.
  4. If a user interrupt is inserted while the user program breaks until the processing ends, do not set a BREAKPOINT in the interrupt handler. The emulator may generate a Communication Timeout error. Use the Break Condition function.
  5. For details on command-line syntax, refer to the online help.

## 2.2.8 CPU Status Acquisition

The emulator can display the SH7751R status during user program execution in realtime. It displays the items selected in the [Extended Monitor Configuration] dialog box in the [Extended Monitor] window during user program execution. The emulator can display the state of the moment when a command is input for the specified register through the command-line function.

- Notes:
1. This function is only valid during user program execution. If this function is used during a user program break, an undefined value is displayed.
  2. A read value during reset is not guaranteed.
  3. In the sleep or deep sleep mode, only the STATUS or FRQCR can be read.
  4. The display is updated in the 100-ms interval.

Table 2.12 shows the details of the items that can be displayed.

**Table 2.12 Display Status**

Item	Example	Description
PC	H'A0000104	Displays the PC value.
SR	H'000000F0	Displays the SR register value.
FPSCR	H'000000F0	Displays the FPSCR register value.
INTEVT	H'00000100	Displays the INTEVT register value.
EXPEVT	H'00000600	Displays the EXPEVT register value.
FRQCR register	H'00000102	Displays the FRQCR register value.
MMUCR.AT	H'0	Displays the AT bit value in the MMUCR register.
ASID	H'01	Displays the ASID value in the PTEH register.
CCR	H'00000001	Displays the CCR register value.
SBUS	H'00000000	Displays the load/store bus address. (internal bus)
EBUS	H'00000000	Displays the external bus address.
SBTYPE	B'1101	Displays the internal bus state. Each bit has the following meanings: <b>Bit3: Bus access</b> 0: Without bus access 1: With bus access  If bit 3 is 0, other bits of SBTYPE and all bits of SBUS are invalid.

**Table 2.12 Display Status (cont)**

<b>Item</b>	<b>Example</b>	<b>Description</b>
SBTYPE (cont)	B'1101	<p><b>Bit2: Read or write cycle</b>            0: Read cycle            1: Write cycle</p> <p><b>Bit1,0: Bus width</b>            Bit1=0, Bit0=0: 8-bit bus width            Bit1=0, Bit0=1: 16-bit bus width            Bit1=1, Bit0=0: 32-bit bus width            Bit1=1, Bit0=1: 64-bit bus width</p>
EBTYPE	B'0000000	<p>Displays the external bus state.            Each bit has the following meanings:</p> <p><b>Bit5: Bus mode at DMA transfer</b>            Displays an invalid value in the CPU access.            0: Burst mode            1: Cycle steal mode</p> <p><b>Bit4: CPU access or DMAC access</b>            0: Access from CPU            1: Access from DMAC</p> <p><b>Bit6,3,2: One transfer unit in DMA transfer</b>            Bit6=0, Bit3=0, Bit2=0: 64 bits            Bit6=1, Bit3=0, Bit2=0: 32 bytes            Bit6=0/1, Bit3=0, Bit2=1: 8 bits            Bit6=0/1, Bit3=1, Bit2=0: 16 bits            Bit6=0/1, Bit3=1, Bit2=1: 32 bits</p> <p>These bits indicate memory access in the chip instead of the bus width.</p> <p><b>Bit1: Read or write cycle</b>            0: Read cycle            1: Write cycle</p> <p><b>Bit0: Bus access</b>            0: Without bus access            1: With bus access</p> <p>If bit 0 is 0, other bits of EBTYPE and all bits of EBUS are invalid.</p> <p>Note: When bit 0 is 1 and bit 4 is 0, bits 5 and 6 become invalid.</p>
STATUS	B'00	Displays the STATUS pin state.

**Table 2.12 Display Status (cont)**

<b>Item</b>	<b>Example</b>	<b>Description</b>
Condition match flag	A=0	Displays whether the channel A condition of the UBC has been satisfied.  When the UBC is used as a Break Condition, it displays whether Break Condition 6 has been satisfied. 0: Not satisfied 1: Satisfied
	B=0	Displays whether the channel B condition of the UBC has been satisfied.  When the UBC is used as a Break Condition, it displays whether Break Condition 5 has been satisfied. 0: Not satisfied 1: Satisfied
	BC1=0	Displays whether Break Condition 1 has been satisfied. 0: Not satisfied 1: Satisfied
	BC2=0	Displays whether Break Condition 2 has been satisfied. 0: Not satisfied 1: Satisfied
	BC3=0	Displays whether Break Condition 3 has been satisfied. 0: Not satisfied 1: Satisfied
	BC4=0	Displays whether Break Condition 4 has been satisfied. 0: Not satisfied 1: Satisfied
Condition match flag for sequential break	A=0	When the sequential break condition of the UBC is selected, this bit is 1 when the channel A condition has been satisfied and the channel B condition has not been satisfied.  When the UBC is used as a Break Condition, channel A and channel B correspond to Break Condition 6 and Break Condition 5, respectively. This bit is 1 when Break Condition 6 has been satisfied and Break Condition 5 has not been satisfied.
	BC4=0	When Sequential break condition 4-3-2-1 is selected, this bit is 1 when Break Condition 4 has been satisfied and Break Condition 3 has not been satisfied. It is also 1 when Break Condition 4 is satisfied again after Break Condition 3 has been satisfied.

**Table 2.12 Display Status (cont)**

<b>Item</b>	<b>Example</b>	<b>Description</b>
Condition match flag for sequential break (cont)	BC3=0	When Sequential break condition 4-3-2-1 and Sequential break condition 3-2-1 are selected, this bit is 1 when Break Condition 3 has been satisfied and Break Condition 2 has not been satisfied. It is also 1 when Break Condition 3 is satisfied again after Break Condition 2 has been satisfied.
	BC2=0	When Sequential break condition 4-3-2-1, Sequential break condition 3-2-1, and Sequential break condition 2-1 are selected, this bit is 1 when Break Condition 2 has been satisfied and Break Condition 1 has not been satisfied. It is also 1 when Break Condition 2 is satisfied again after Break Condition 1 has been satisfied.

(a) Window function

To use the window function, the [Extended Monitor] window is displayed.

Open the [Extended Monitor] window by selecting [Display -> CPU -> Extended Monitor] or click the [Extended Monitor] toolbar button ().

Set the items to be displayed by selecting [Property] from the popup menu with the right mouse button to display the [Extended Monitor Configuration] dialog box.

Select the check boxes in the [Settings] group box for the items that are to be displayed.

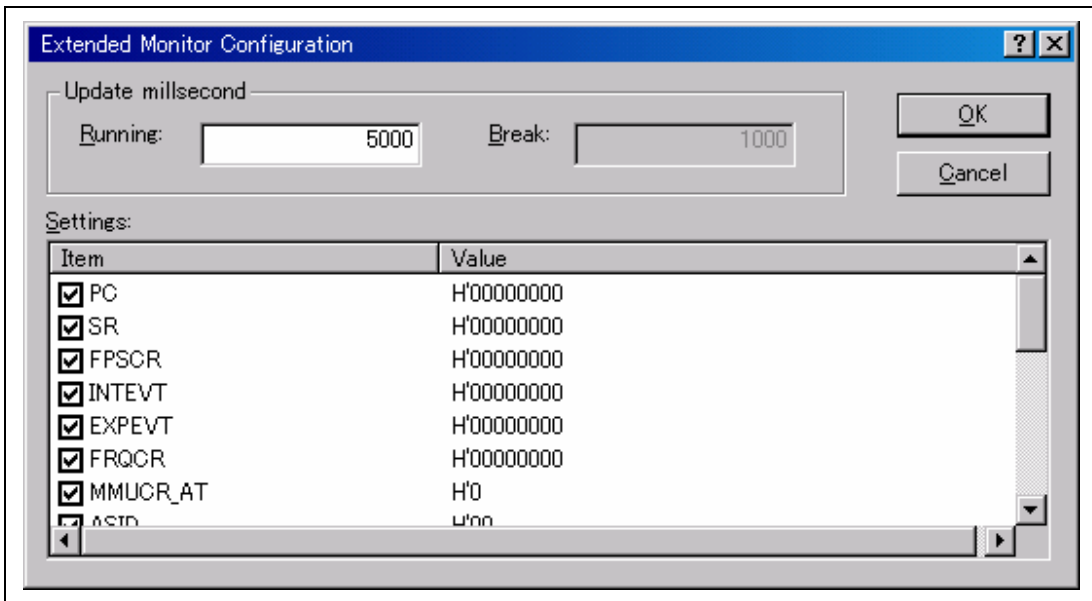
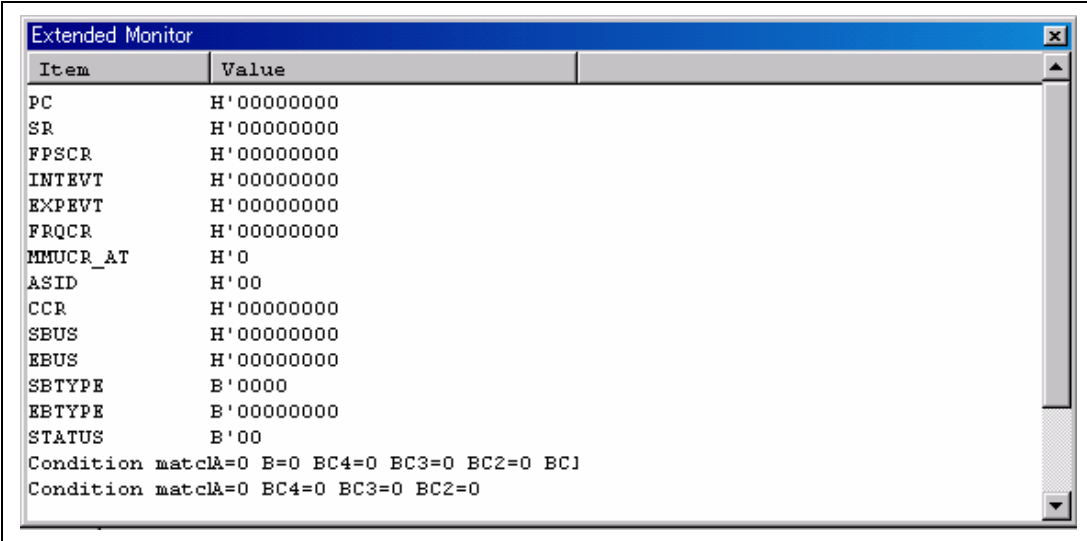


Figure 2.9 [Extended Monitor Configuration] Dialog Box

The items that have been selected are displayed in the [Extended Monitor] window.



Item	Value
PC	H'00000000
SR	H'00000000
FPSCR	H'00000000
INTEVT	H'00000000
EXPEVT	H'00000000
FRQCR	H'00000000
MMUCR_AT	H'0
ASID	H'00
CCR	H'00000000
SBUS	H'00000000
EBUS	H'00000000
SBTYPE	B'0000
EBTYPE	B'00000000
STATUS	B'00
Condition matchA=0 B=0 BC4=0 BC3=0 BC2=0 BC1	
Condition matchA=0 BC4=0 BC3=0 BC2=0	

**Figure 2.10 [Extended Monitor] Window**

Notes: 1. CPU status acquisition function [Condition match flag]:

The Break Condition function clears the condition match flag after a break occurred. Therefore, note that there are following limitations on measurement of this function.

Break Condition 1,4: Have meaning when they are used as the measurement start/end condition in the performance measurement function. In other cases, they are invalid in this product.

Break Condition 2,3,5,6: Are invalid in this product.

When Break Condition 5,6 are used as the UBC: The condition match flag is 1 when each channel in the UBC is satisfied until the flag is cleared.

2. CPU status acquisition function during standby:

The read value during standby cannot be guaranteed.

---

**SuperH™ Family E10A-USB Emulator  
Additional Document for User's Manual  
Supplementary Information on Using the SH7751R**

Publication Date: Rev.1.00, March 15, 2004

Rev.2.00, March 19, 2007

Published by: Sales Strategic Planning Div.

Renesas Technology Corp.

Edited by: Customer Support Department

Global Strategic Communication Div.

Renesas Solutions Corp.

Renesas Technology Corp. Sales Strategic Planning Div. Nippon Bldg., 2-6-2, Ohte-machi, Chiyoda-ku, Tokyo 100-0004, Japan

---



## RENESAS SALES OFFICES

<http://www.renesas.com>

Refer to "<http://www.renesas.com/en/network>" for the latest and detailed information.

### **Renesas Technology America, Inc.**

450 Holger Way, San Jose, CA 95134-1368, U.S.A  
Tel: <1> (408) 382-7500, Fax: <1> (408) 382-7501

### **Renesas Technology Europe Limited**

Dukes Meadow, Millboard Road, Bourne End, Buckinghamshire, SL8 5FH, U.K.  
Tel: <44> (1628) 585-100, Fax: <44> (1628) 585-900

### **Renesas Technology (Shanghai) Co., Ltd.**

Unit 204, 205, AZIACenter, No.1233 Lujiazui Ring Rd, Pudong District, Shanghai, China 200120  
Tel: <86> (21) 5877-1818, Fax: <86> (21) 6887-7898

### **Renesas Technology Hong Kong Ltd.**

7th Floor, North Tower, World Finance Centre, Harbour City, 1 Canton Road, Tsimshatsui, Kowloon, Hong Kong  
Tel: <852> 2265-6688, Fax: <852> 2730-6071

### **Renesas Technology Taiwan Co., Ltd.**

10th Floor, No.99, Fushing North Road, Taipei, Taiwan  
Tel: <886> (2) 2715-2888, Fax: <886> (2) 2713-2999

### **Renesas Technology Singapore Pte. Ltd.**

1 Harbour Front Avenue, #06-10, Keppel Bay Tower, Singapore 098632  
Tel: <65> 6213-0200, Fax: <65> 6278-8001

### **Renesas Technology Korea Co., Ltd.**

Kukje Center Bldg. 18th Fl., 191, 2-ka, Hangang-ro, Yongsan-ku, Seoul 140-702, Korea  
Tel: <82> (2) 796-3115, Fax: <82> (2) 796-2145

### **Renesas Technology Malaysia Sdn. Bhd**

Unit 906, Block B, Menara Amcorp, Amcorp Trade Centre, No.18, Jalan Persiaran Barat, 46050 Petaling Jaya, Selangor Darul Ehsan, Malaysia  
Tel: <603> 7955-9390, Fax: <603> 7955-9510



**SuperH™ Family E10A-USB Emulator  
Additional Document for User's Manual  
Supplementary Information on  
Using the SH7751R**



**Renesas Electronics Corporation**

1753, Shimonumabe, Nakahara-ku, Kawasaki-shi, Kanagawa 211-8668 Japan

REJ10B0119-0200