

H8S Family

Duplex Transmission

Introduction

Transmits and receives 1-byte data, synchronizing with a clock between the H8S/2339 (master) and H8S/2215 (slave).

Target Device

H8S/2339

Contents

1. Specifications.....	2
2. Description of Functions	3
3. Principles of Operation.....	4
4. Description of Software.....	5
5. PAD.....	6

1. Specifications

1. As shown in figure 1, this function transmits and receives 1-byte data between an H8S/2339 and H8S/2215.
2. Data is transmitted and received in the clock synchronous format. The master H8S/2339 provides the clock to the slave H8S/2215.
3. The H8S/2339 transmits data to and receives data from the H8S/2215 simultaneously.

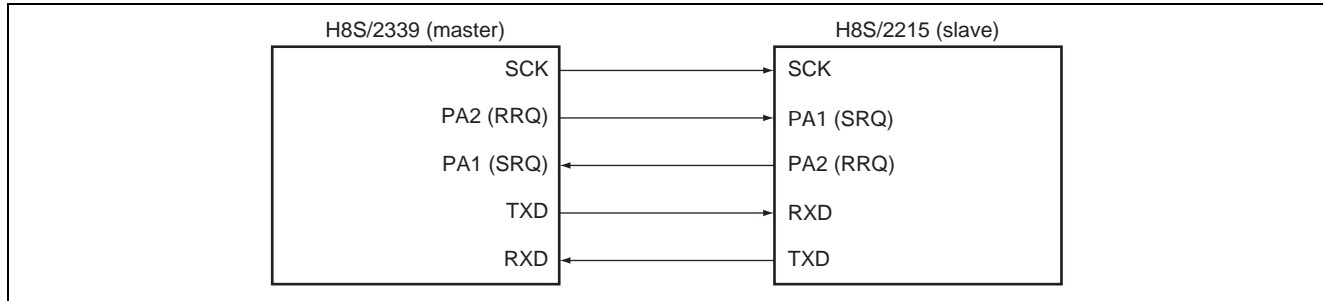


Figure 1 Block Diagram of Clock Synchronous SCI by H8S/2339

2. Description of Functions

1. This sample task transmits and receives data, using SCI2. Port A is used for the communication control pins (RRQ and SRQ).
 - A. The block diagram of SCI to be used by the sample task is shown in figure 2. This sample task uses the following functions of SCI to perform transmission and reception simultaneously.
 - Function that performs serial data communication, synchronizing with the clock (clock synchronous mode)
 - Function that performs transmission and reception simultaneously (duplex transmission function)
 - Function that generates an interrupt at completion of reception (RXI interrupt)

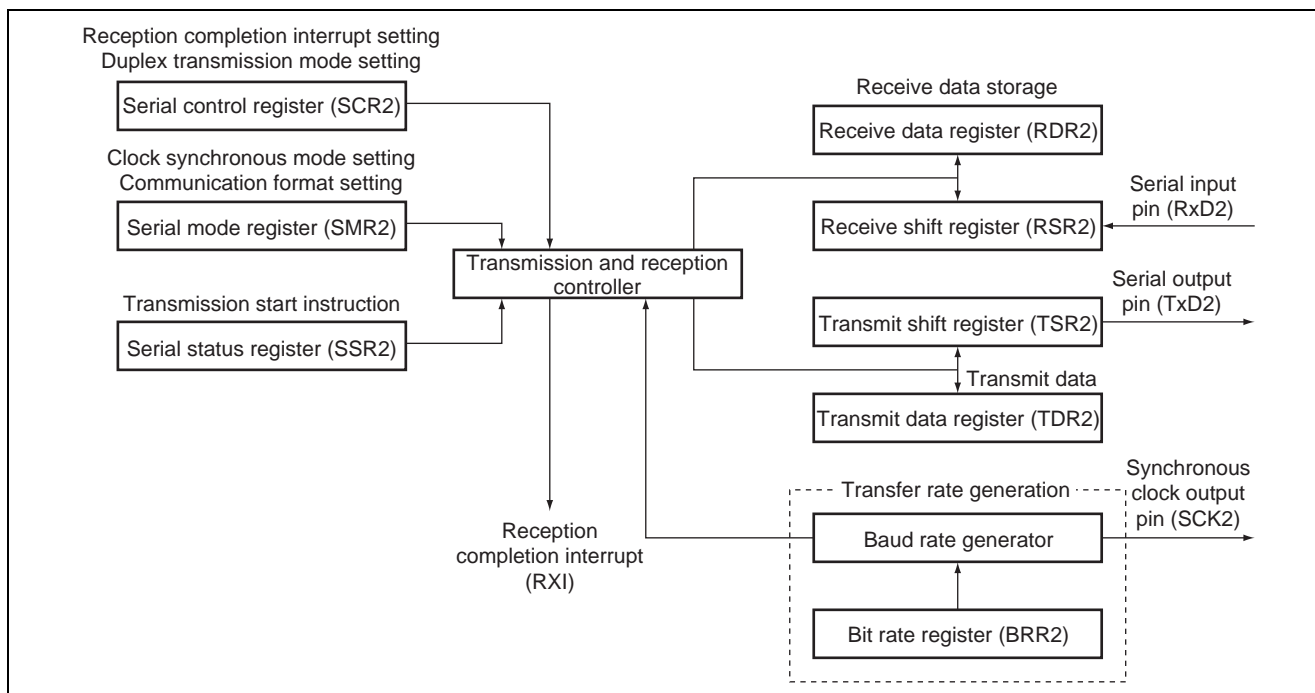


Figure 2 SCI Block Diagram

3. Principles of Operation

The principles of operations used of this task are shown in figure 3. This task performs software and hardware processing at the timing shown in figure 3 to interface with an H8S/2215 (slave).

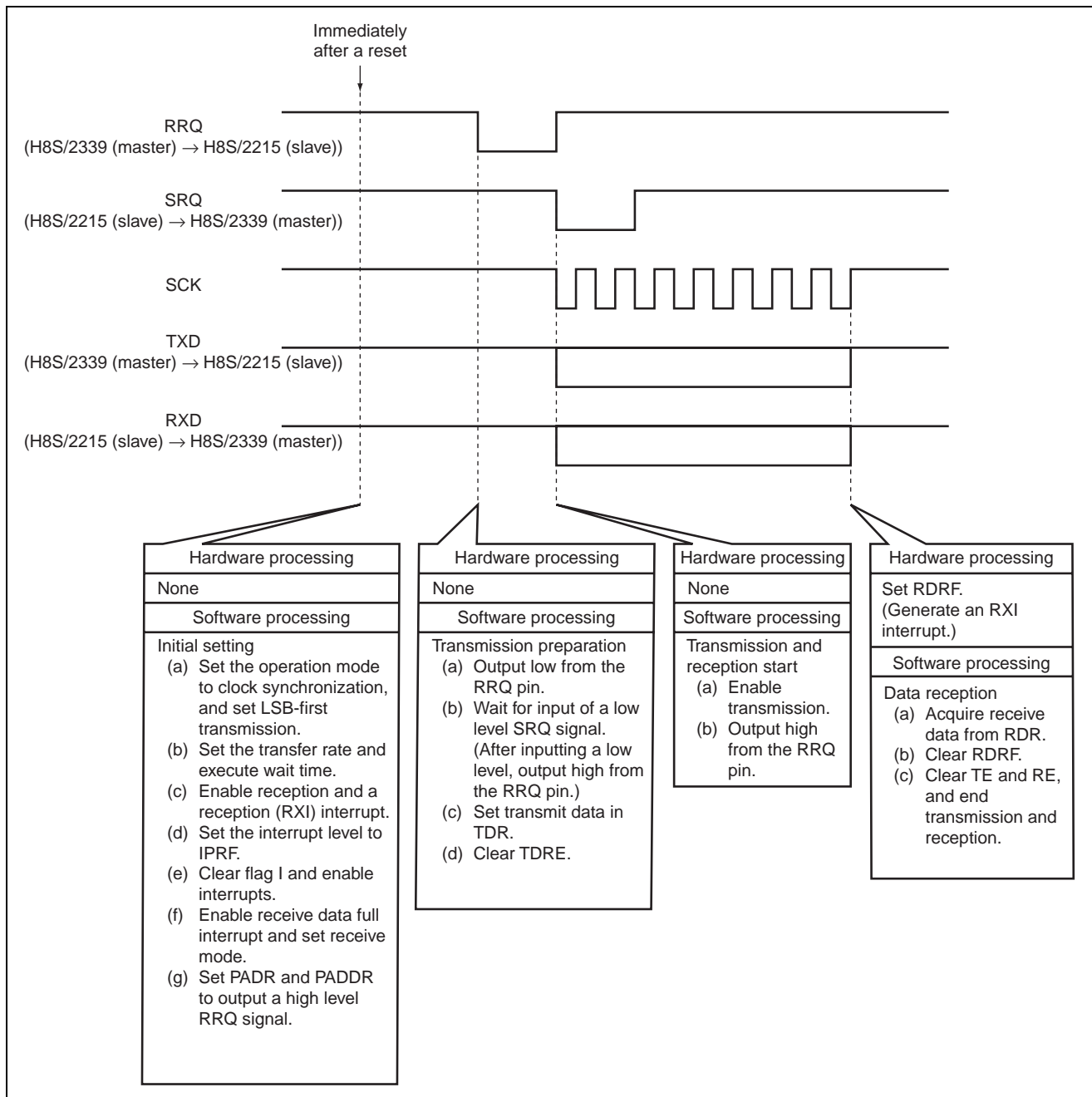


Figure 3 Principles of Operations Used for Duplex Transmission

4. Description of Software

1. Description of Modules

Module Name	Label Name	Function
Main routine	simtrmn	Performs initial setting of SCI and controls transmission and reception.
Data reception completion	rxend	Starts up by an RXI interrupt and receives data.

2. Description of Argument

Label Name	Function	Data Length	Used in	I/O
revend	Flag indicating reception completion 1: Reception completed 0: Reception in progress	unsigned char	Data reception completion Main routine	Output Input

3. Description of Internal Registers Used

Register Name	Function	Used in
SMR2	Sets the SCI mode (clock synchronous), the transfer format, and selected clock to the baud rate generator (ϕ clock input).	Main routine
SCR2	Enables an interrupt (RXI) and SCI transmission and reception.	Main routine
SSR2	Clears TDRE to instruct transmission to start.	Main routine
RDR2	Sets data received from an H8S/2215 (slave).	Data reception completion
TDR2	Sets data to be transmitted to an H8S/2215 (slave).	Main routine
BRR2	Sets the transfer rate.	Main routine
PADDR	Sets I/O of port A.	Main routine
PADR	Operates the RRQ and SRQ pins.	Main routine
MSTPCR	Cancels the SCI module stop mode.	Main routine

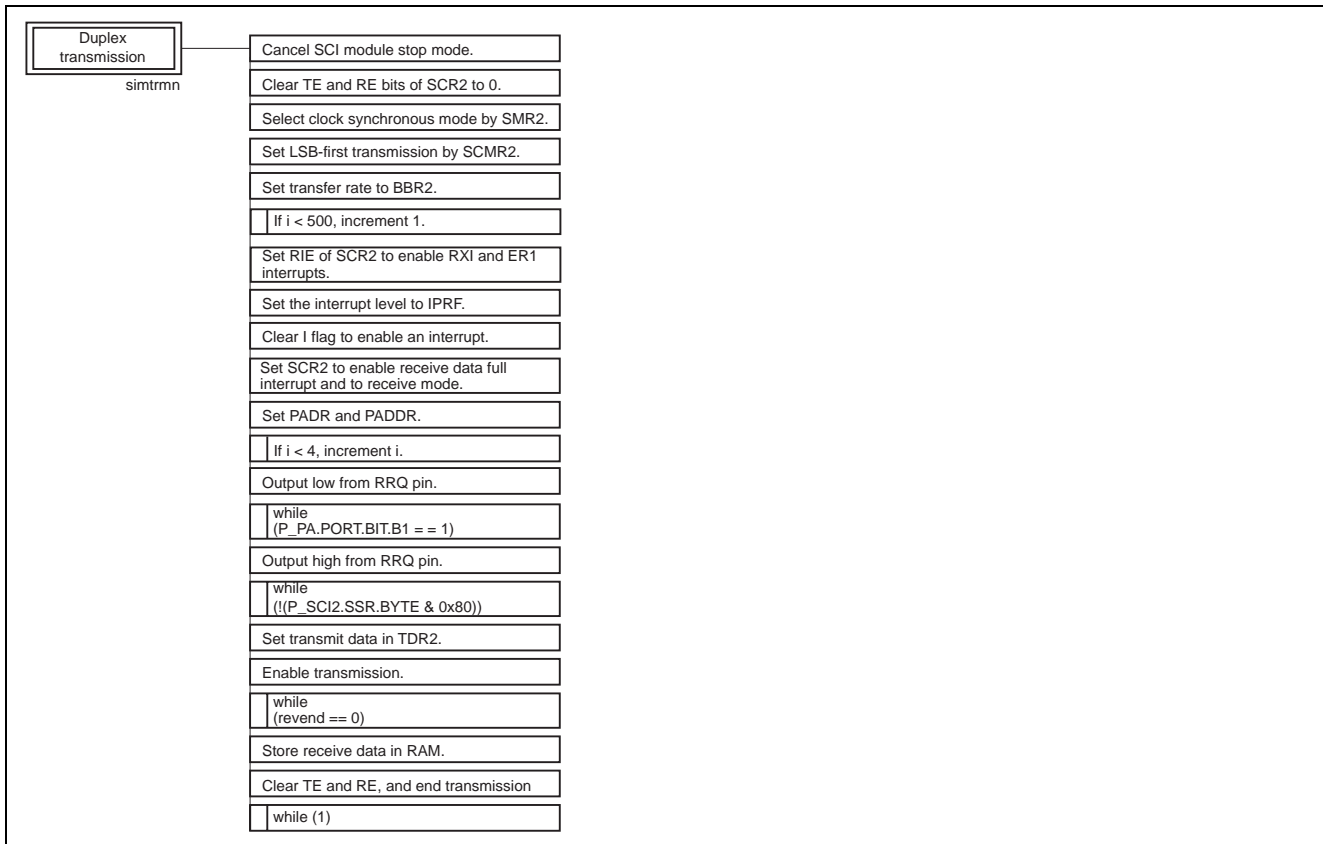
4. RAM Usage

Table below describes RAM usage in this sample task.

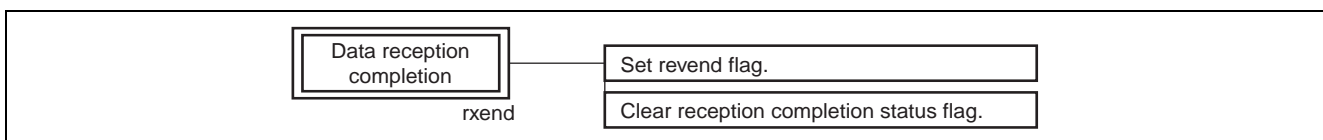
Label Name	Function	Data Length	Used in
rvdata	Sets received data.	unsigned char	Main routine
trdata	Sets data to be transmitted (in this sample task: H'32).	unsigned char	Main routine

5. PAD

1. Main Routine



2. Data Reception Completion



Revision Record

Rev.	Date	Description	
		Page	Summary
1.00	Feb.17.05	—	First edition issued

Keep safety first in your circuit designs!

1. Renesas Technology Corp. puts the maximum effort into making semiconductor products better and more reliable, but there is always the possibility that trouble may occur with them. Trouble with semiconductors may lead to personal injury, fire or property damage.
Remember to give due consideration to safety when making your circuit designs, with appropriate measures such as (i) placement of substitutive, auxiliary circuits, (ii) use of nonflammable material or (iii) prevention against any malfunction or mishap.

Notes regarding these materials

1. These materials are intended as a reference to assist our customers in the selection of the Renesas Technology Corp. product best suited to the customer's application; they do not convey any license under any intellectual property rights, or any other rights, belonging to Renesas Technology Corp. or a third party.
2. Renesas Technology Corp. assumes no responsibility for any damage, or infringement of any third-party's rights, originating in the use of any product data, diagrams, charts, programs, algorithms, or circuit application examples contained in these materials.
3. All information contained in these materials, including product data, diagrams, charts, programs and algorithms represents information on products at the time of publication of these materials, and are subject to change by Renesas Technology Corp. without notice due to product improvements or other reasons. It is therefore recommended that customers contact Renesas Technology Corp. or an authorized Renesas Technology Corp. product distributor for the latest product information before purchasing a product listed herein.
The information described here may contain technical inaccuracies or typographical errors.
Renesas Technology Corp. assumes no responsibility for any damage, liability, or other loss rising from these inaccuracies or errors.
Please also pay attention to information published by Renesas Technology Corp. by various means, including the Renesas Technology Corp. Semiconductor home page (<http://www.renesas.com>).
4. When using any or all of the information contained in these materials, including product data, diagrams, charts, programs, and algorithms, please be sure to evaluate all information as a total system before making a final decision on the applicability of the information and products. Renesas Technology Corp. assumes no responsibility for any damage, liability or other loss resulting from the information contained herein.
5. Renesas Technology Corp. semiconductors are not designed or manufactured for use in a device or system that is used under circumstances in which human life is potentially at stake. Please contact Renesas Technology Corp. or an authorized Renesas Technology Corp. product distributor when considering the use of a product contained herein for any specific purposes, such as apparatus or systems for transportation, vehicular, medical, aerospace, nuclear, or undersea repeater use.
6. The prior written approval of Renesas Technology Corp. is necessary to reprint or reproduce in whole or in part these materials.
7. If these products or technologies are subject to the Japanese export control restrictions, they must be exported under a license from the Japanese government and cannot be imported into a country other than the approved destination.
Any diversion or reexport contrary to the export control laws and regulations of Japan and/or the country of destination is prohibited.
8. Please contact Renesas Technology Corp. for further details on these materials or the products contained therein.